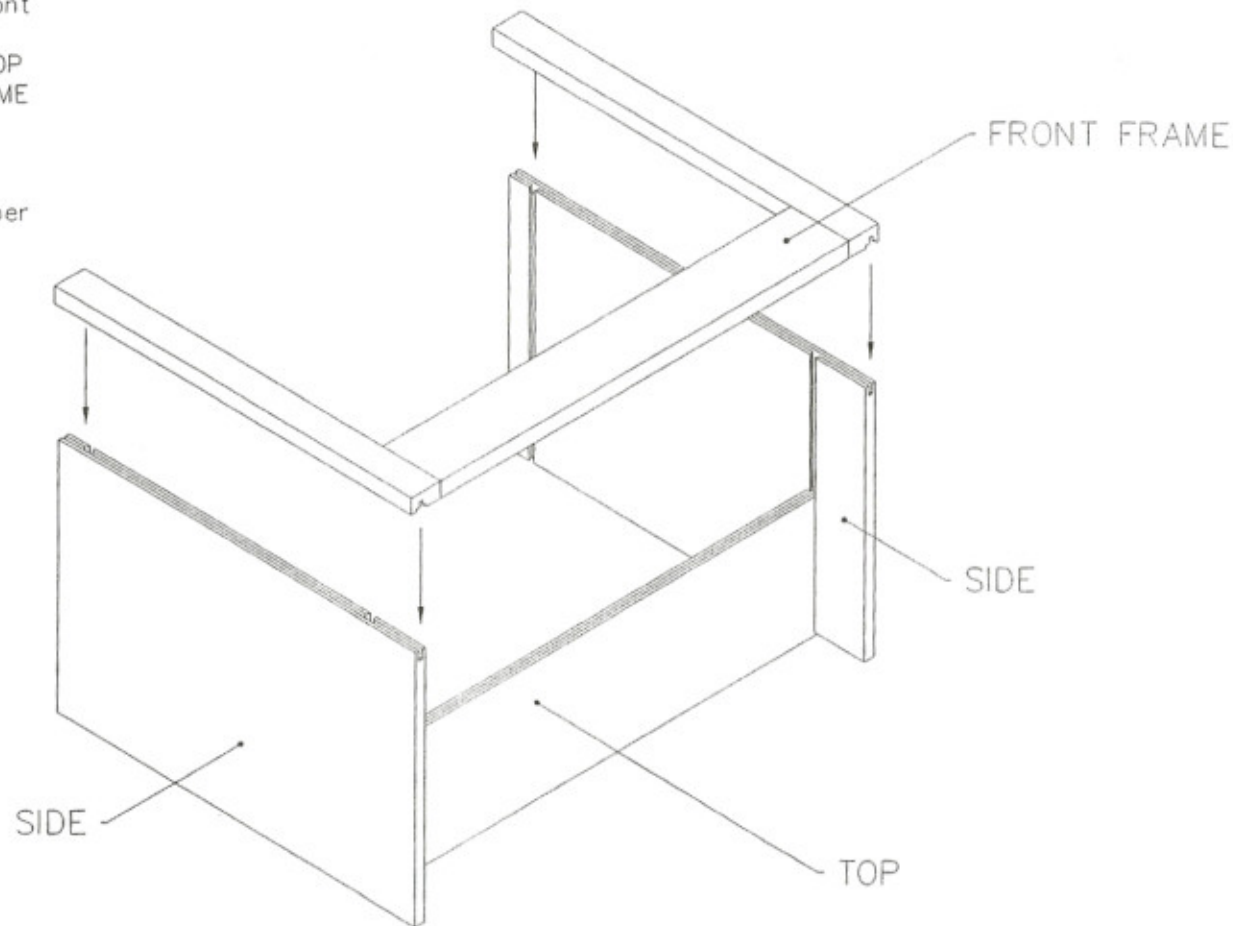


## APPLIANCE GARAGE

1. Slide the TOP into the cabinet SIDE dovetail. (as shown) Be sure to keep the grooved edge up.
2. Prepare the FRONT FRAME per the instruction on page #2.
3. After inserting splines into front FRAME, spread glue into the slotted edges of the SIDES, TOP and BOTTOM, the FRONT FRAME can now be attached. Match the splines in the FRONT to the slots in the cabinet box. Tap the FRONT on with a rubber mallet. Make sure the cabinet FRONT is pressed firmly onto the cabinet box.



## APPLIANCE GARAGE (cont.)

4. Insert the HOLDING BLOCKS into the cabinet SIDES after spreading glue in the female dovetails of the SIDES. These HOLDING BLOCKS will be used to fasten the appliance garage to the counter top.
5. If a TAMBOUR DOOR is ordered, staple the track flush with the FRONT FRAME.
6. Follow detailed installation instructions supplied with tambour door.

