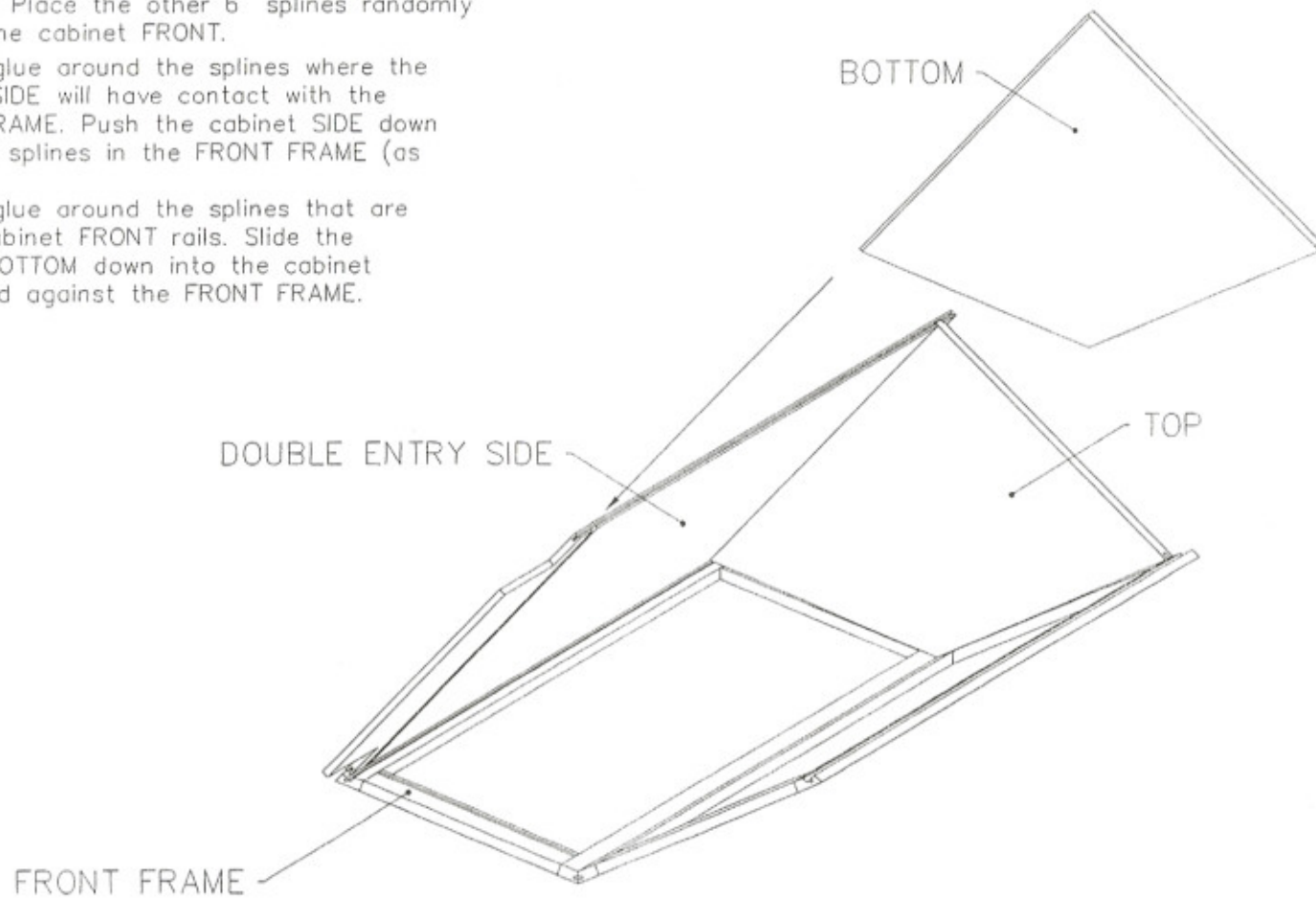


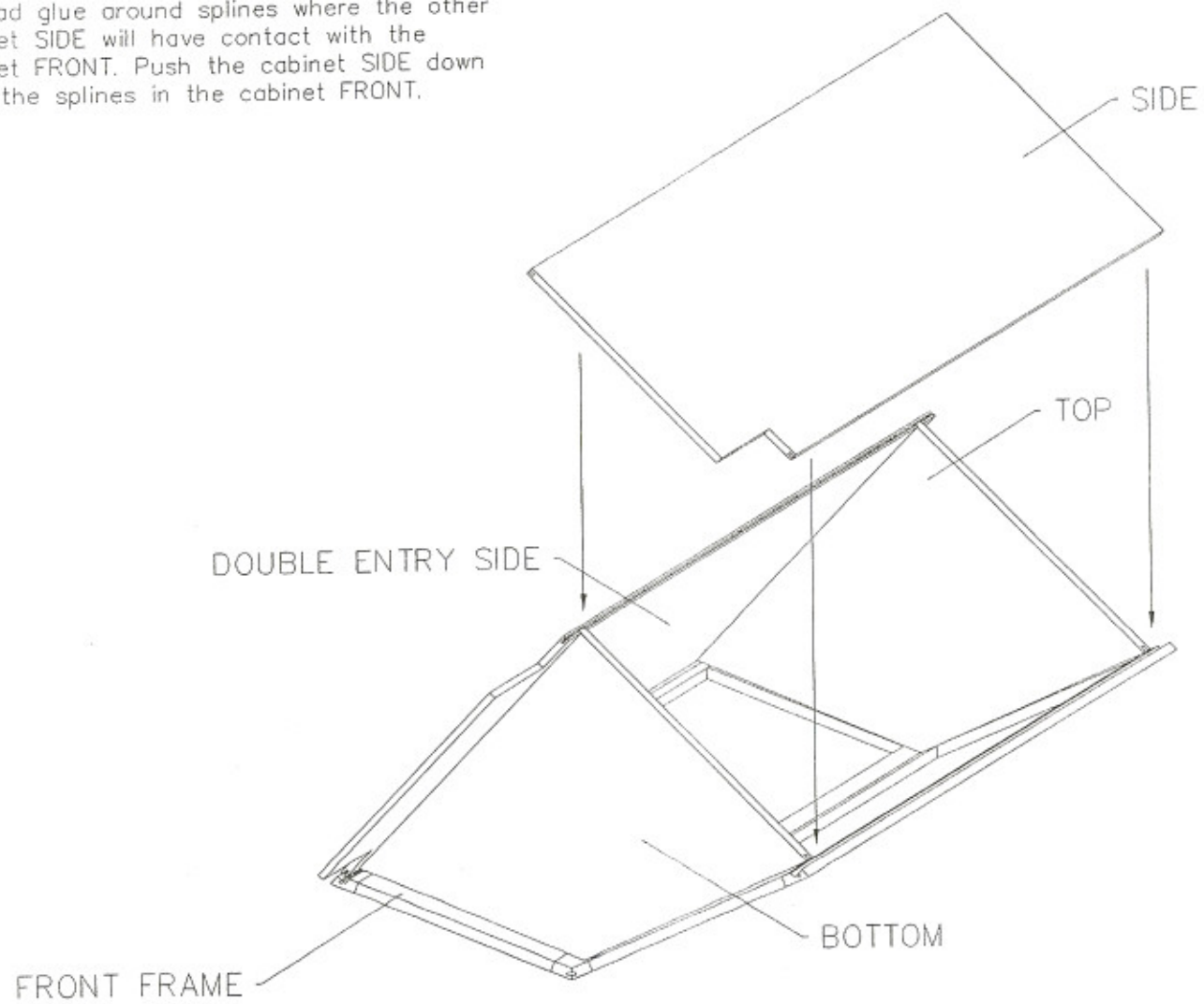
## BASE ANGLE END CABINET

1. Insert one 7/8" long spline into each of the four corners of the cabinet FRONT FRAME.
2. Insert three 6" long splines into one center stile to connect the two cabinet FRONTS together. Place the other 6" splines randomly around the cabinet FRONT.
3. Spread glue around the splines where the cabinet SIDE will have contact with the FRONT FRAME. Push the cabinet SIDE down onto the splines in the FRONT FRAME (as shown.)
4. Spread glue around the splines that are in the cabinet FRONT rails. Slide the TOP & BOTTOM down into the cabinet SIDES and against the FRONT FRAME.



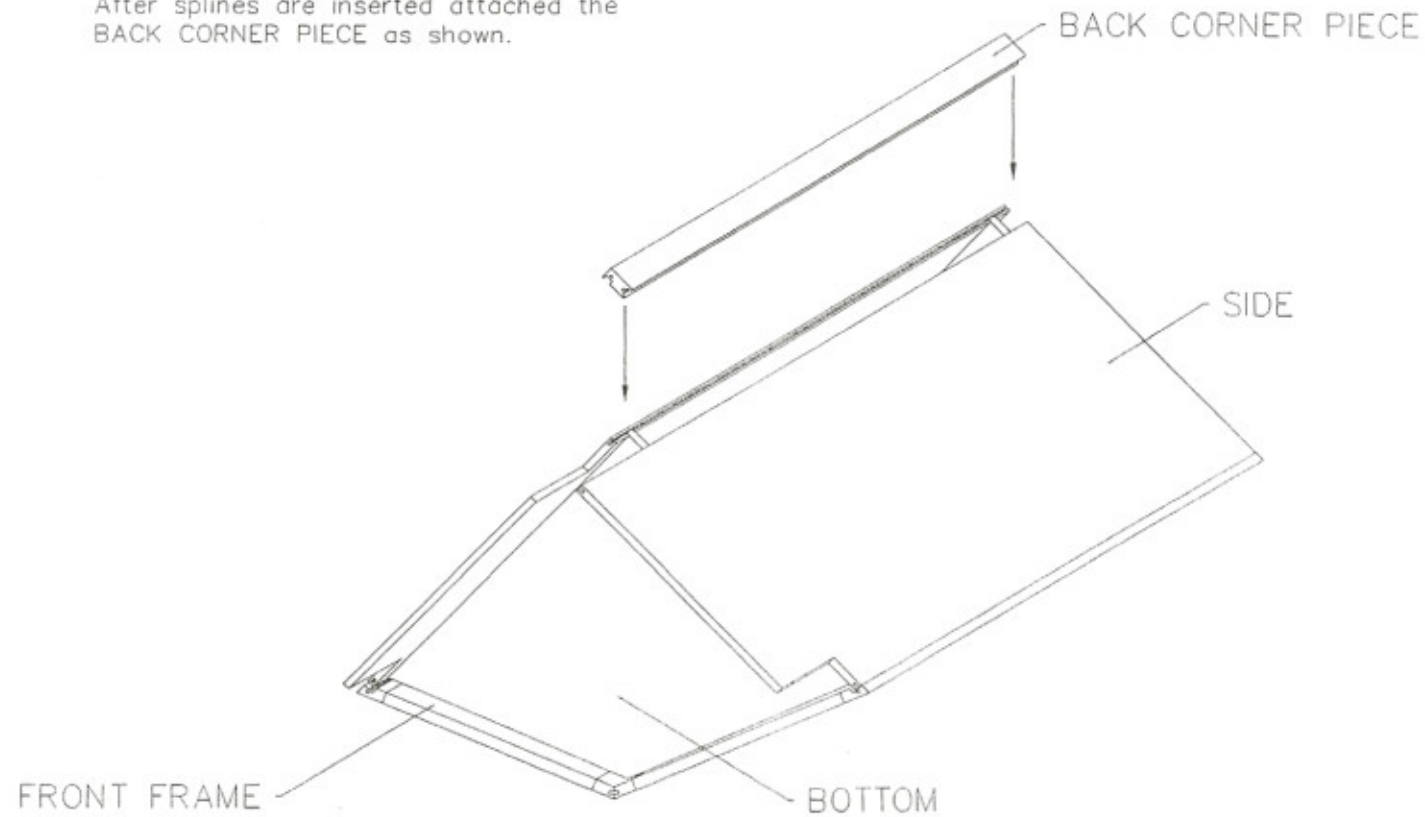
## BASE ANGLE END CABINET (cont.)

5. Spread glue around splines where the other cabinet SIDE will have contact with the cabinet FRONT. Push the cabinet SIDE down onto the splines in the cabinet FRONT.



## BASE ANGLE END CABINET (cont.)

6. The BACK CORNER PIECE should have splines inserted in it before assembly. One  $7/8$ " long spline should be placed in each corner of the grooves. Four 6" splines should be used in this piece, two in each groove. After splines are inserted attached the BACK CORNER PIECE as shown.



## BASE ANGLE END CABINET (cont.)

### 7. The Base Angle End Toeboard Assembly

Spline the two TOEBOARD pieces together using a 3" spline. The TOEBOARD should be positioned and attached using some finish nails.

