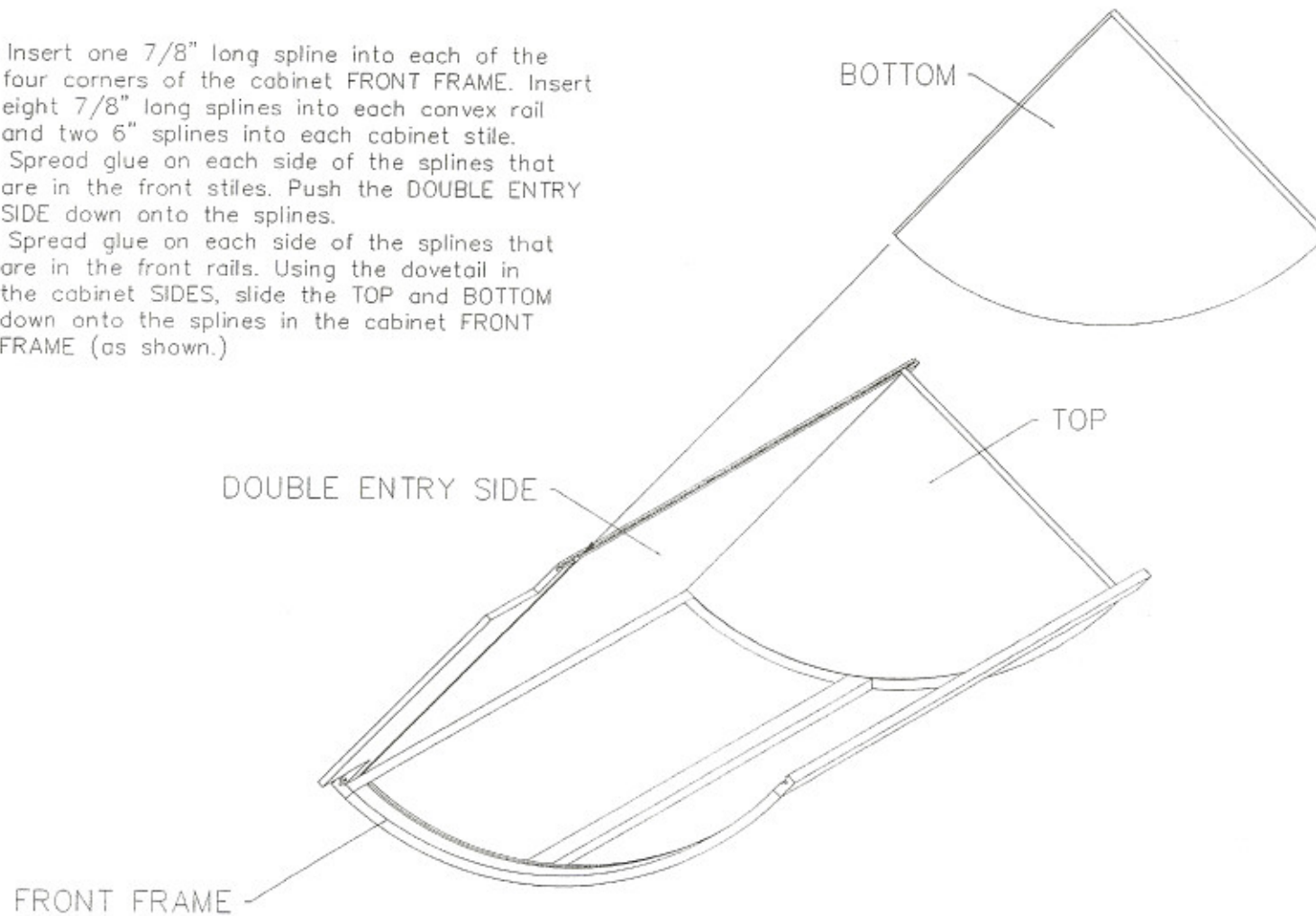


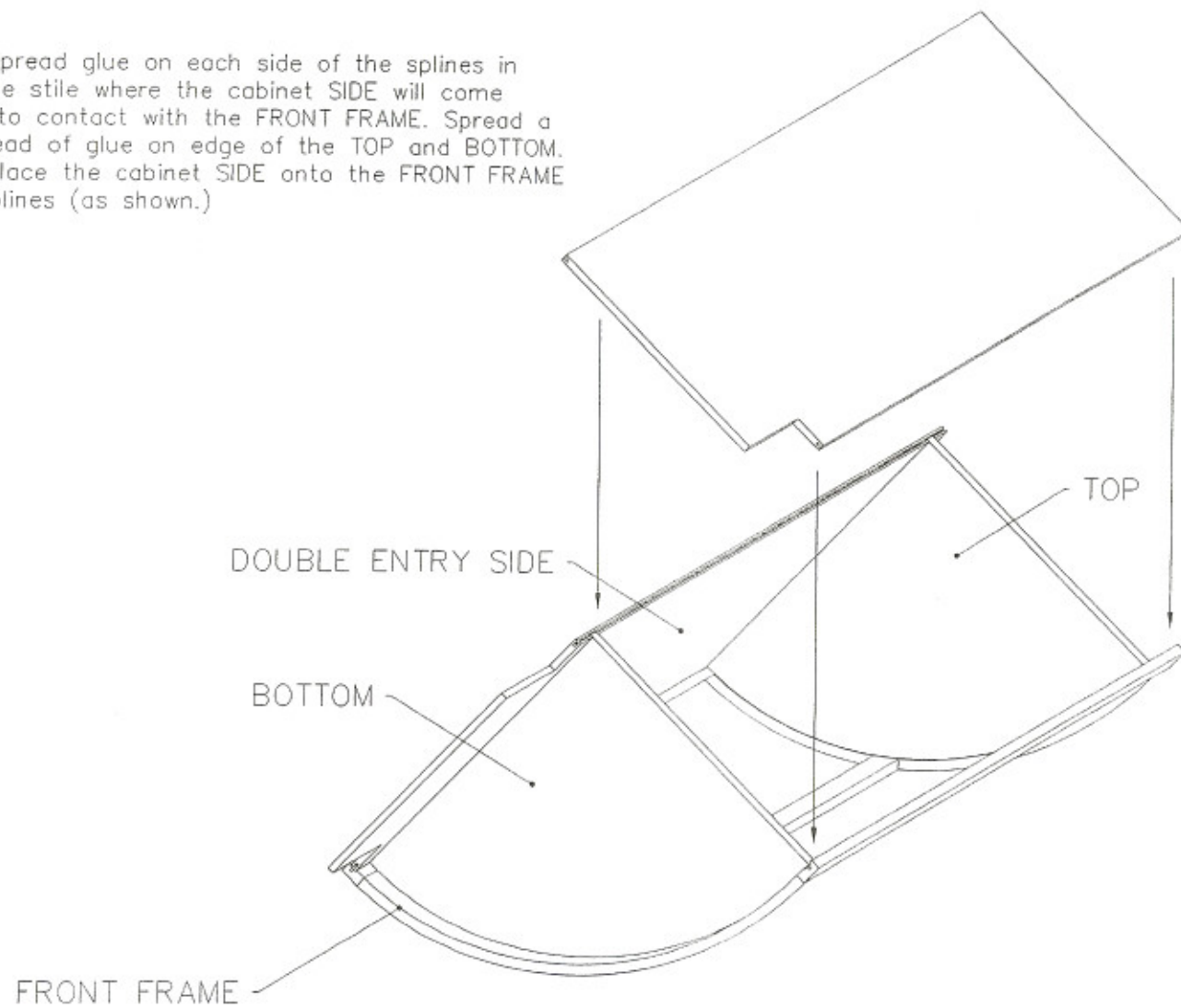
## BASE CONVEX CABINET

1. Insert one  $7/8$ " long spline into each of the four corners of the cabinet FRONT FRAME. Insert eight  $7/8$ " long splines into each convex rail and two 6" splines into each cabinet stile.
2. Spread glue on each side of the splines that are in the front stiles. Push the DOUBLE ENTRY SIDE down onto the splines.
3. Spread glue on each side of the splines that are in the front rails. Using the dovetail in the cabinet SIDES, slide the TOP and BOTTOM down onto the splines in the cabinet FRONT FRAME (as shown.)



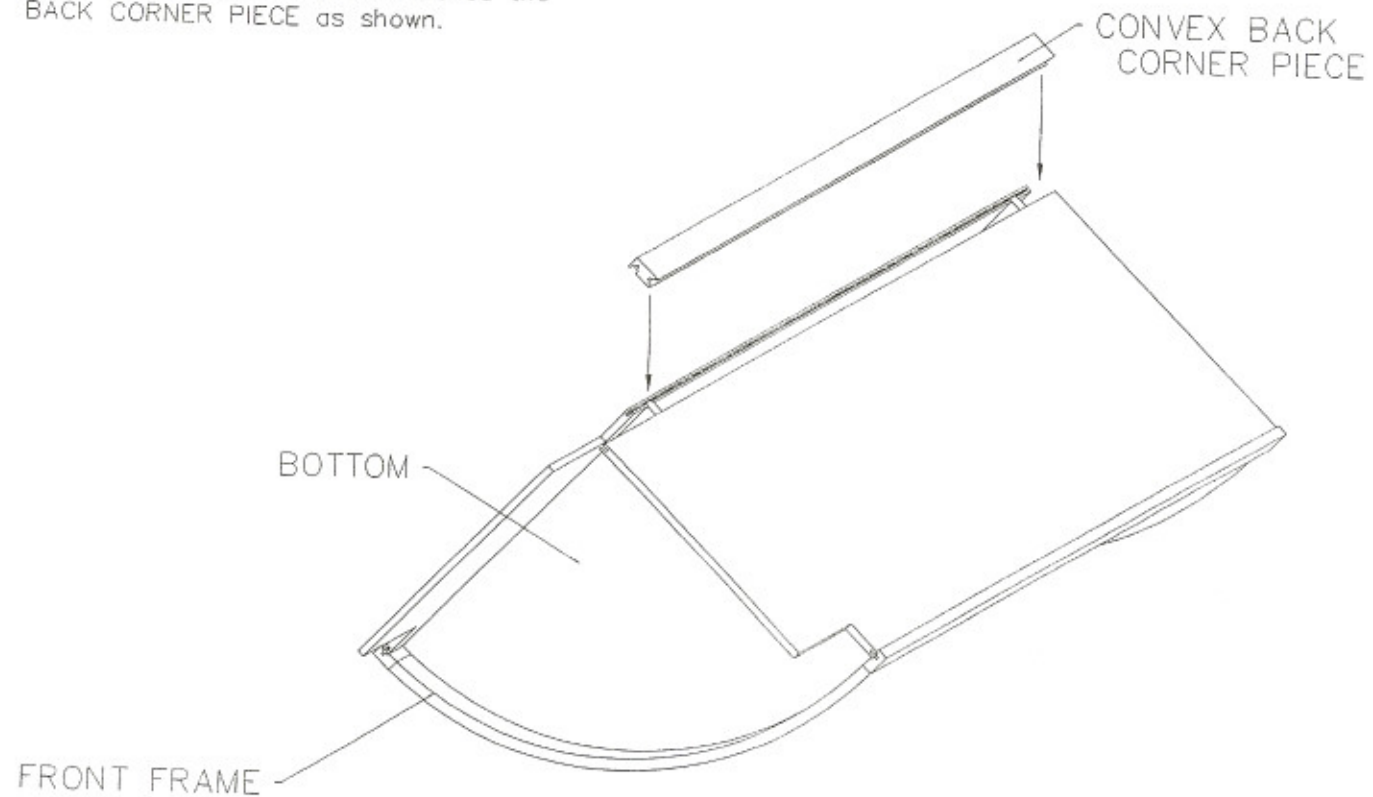
## BASE CONVEX CABINET (cont.)

4. Spread glue on each side of the splines in the stile where the cabinet SIDE will come into contact with the FRONT FRAME. Spread a bead of glue on edge of the TOP and BOTTOM.
5. Place the cabinet SIDE onto the FRONT FRAME splines (as shown.)



## BASE CONVEX CABINET (cont.)

6. The BACK CORNER PIECE should have splines inserted in it before assembly. One  $7/8$ " long spline should be placed in each corner of the grooves. Four 6" splines should be used in this piece, two in each groove. After splines are inserted attached the BACK CORNER PIECE as shown.



## BASE CONVEX CABINET (cont.)

7. Place the base convex TOE BOARD (as shown.) Tack it into place with finish nails.

