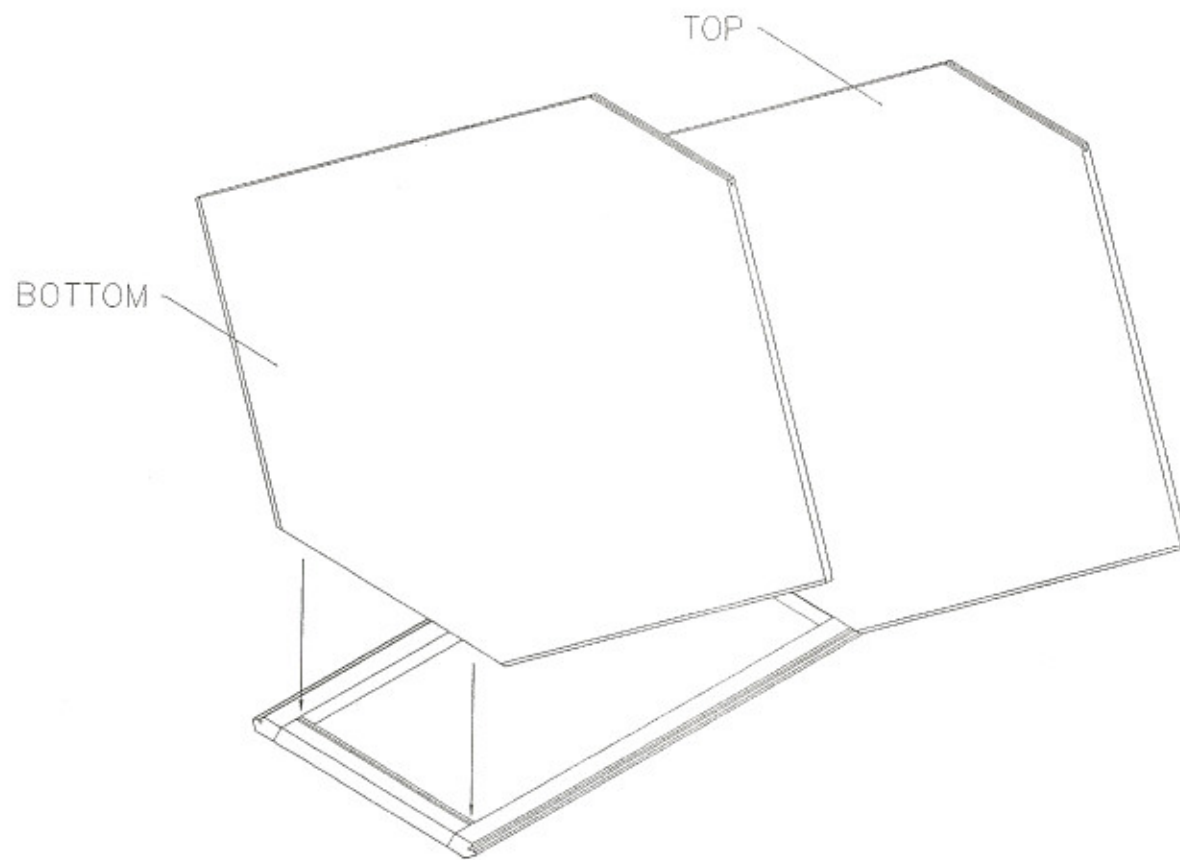


BASE DIAGONAL CORNER CABINETS

1. After inserting splines in FRONT FRAME, lay FRAME face down on a clean, smooth surface.
2. Insert TOP and BOTTOM onto the splines that are inserted in the FRONT FRAME rails (as shown). Make sure the rabbet is toward the inside of the cabinet.

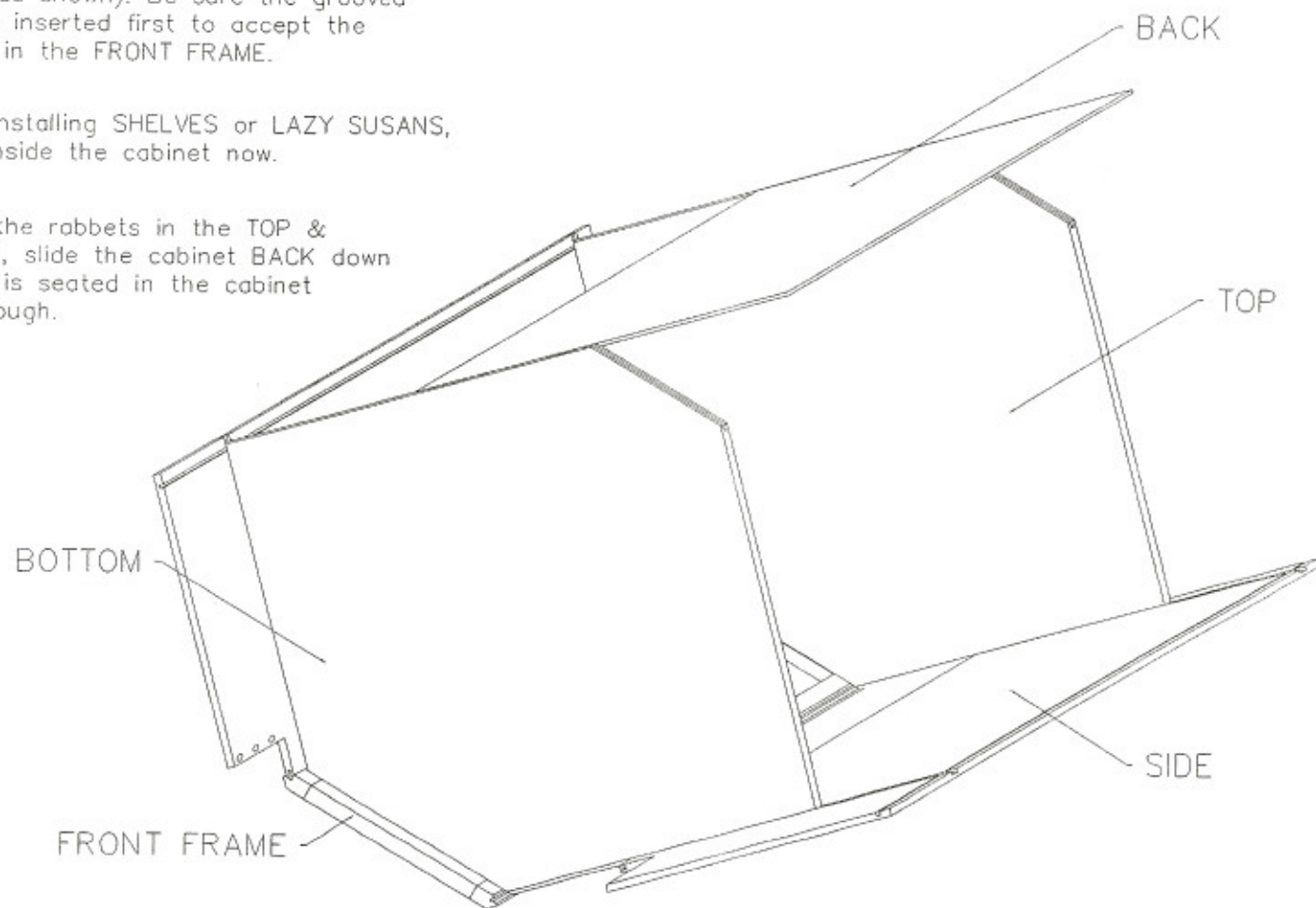


BASE DIAGONAL CORNER CABINETS (cont.)

- Using the male dovetail on the TOP & BOTTOM, slide the cabinet SIDES into place (as shown). Be sure the grooved edge is inserted first to accept the splines in the FRONT FRAME.

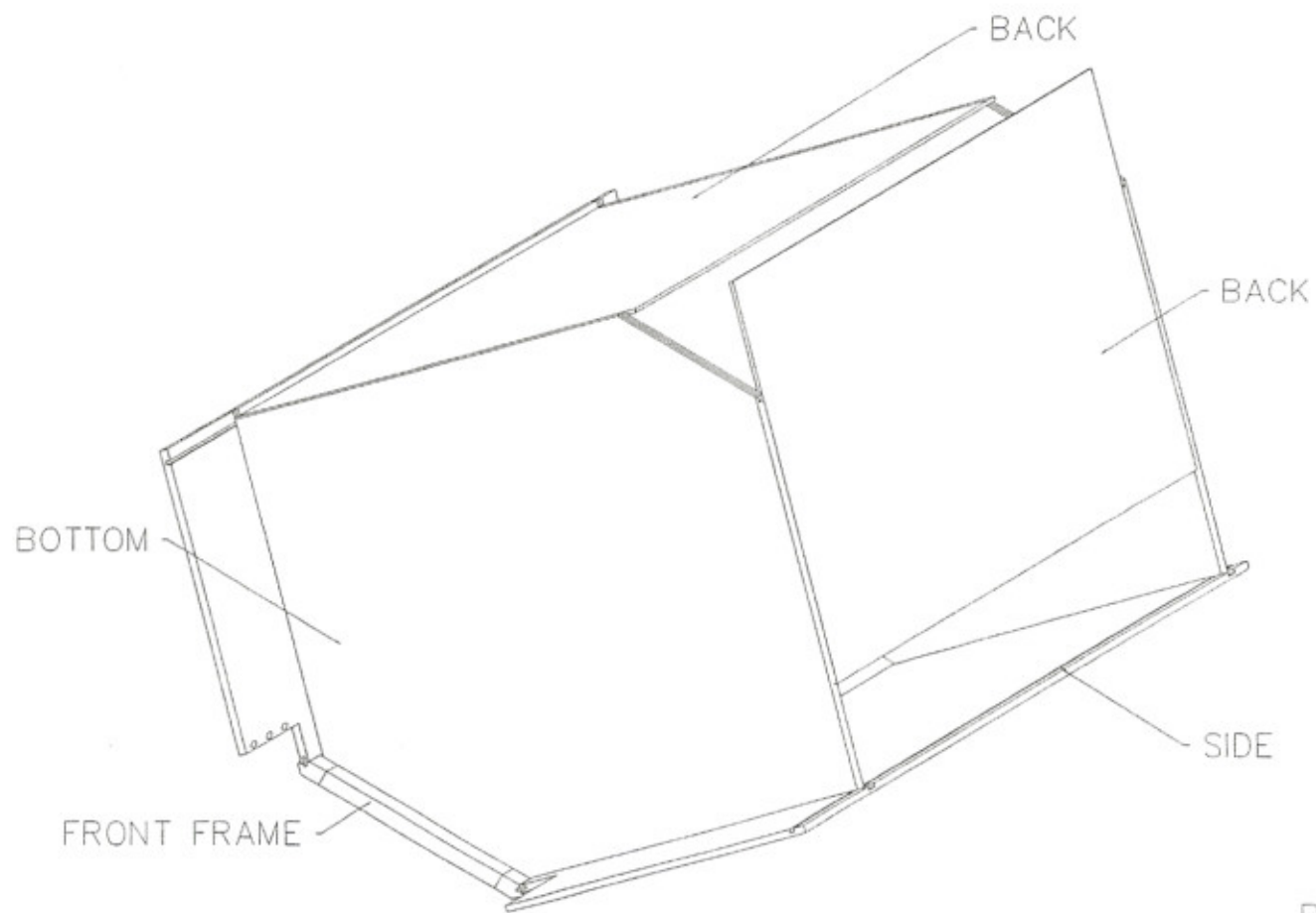
Note: If installing SHELVES or LAZY SUSANS, place inside the cabinet now.

- Using the rabbets in the TOP & BOTTOM, slide the cabinet BACK down until it is seated in the cabinet SIDE plough.



BASE DIAGONAL CORNER CABINETS (cont.)

5. Slide the other cabinet BACK into place (as shown).



BASE DIAGONAL CORNER CABINETS (cont.)

6. Insert a 6" spline in the TOP and BOTTOM groove in the BACK SLANT. The BACK SLANT can now be attached. The cabinet BACKS must fit into the grooves in the BACK SLANT before it can be attached to the cabinet box.
7. Apply a bead of glue on the cabinet BACK. Slide the HANGER CLEAT into place. Using the scribe line on the CLEAT, pin the CLEAT into place. Do this for each HANGER CLEAT.
8. Using the holes in the cabinet SIDES, glue and pin TOEBOARD in place.

