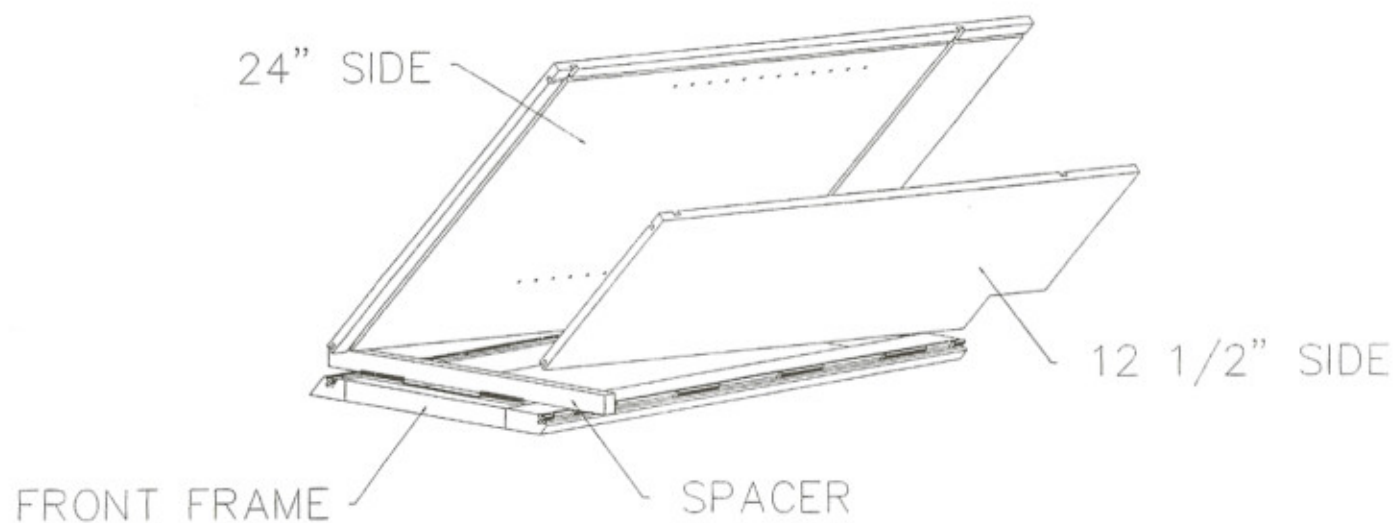


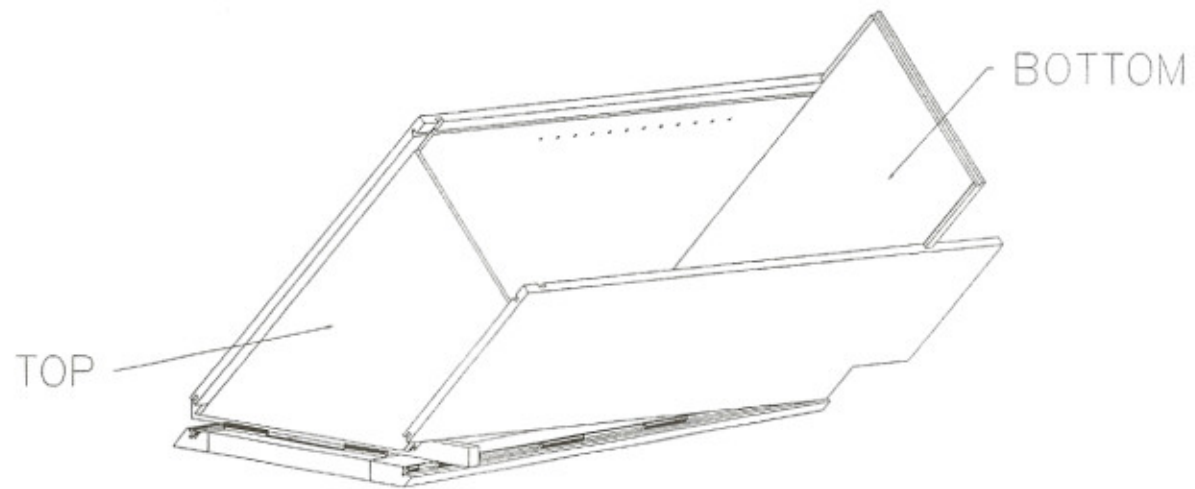
BASE END ANGLE CABINET

1. Prepare the FRONT FRAME per the instructions on Page 2 of this manual.
2. Place the FRONT FRAME face down on the assembly table.
3. Place the bottom edges of the cabinet SIDES in the FRONT FRAME spline grooves. Use a piece of scrap wood to prevent the top of the SIDES from seating completely in the spline groove. This will be necessary to install the BACK in later steps.



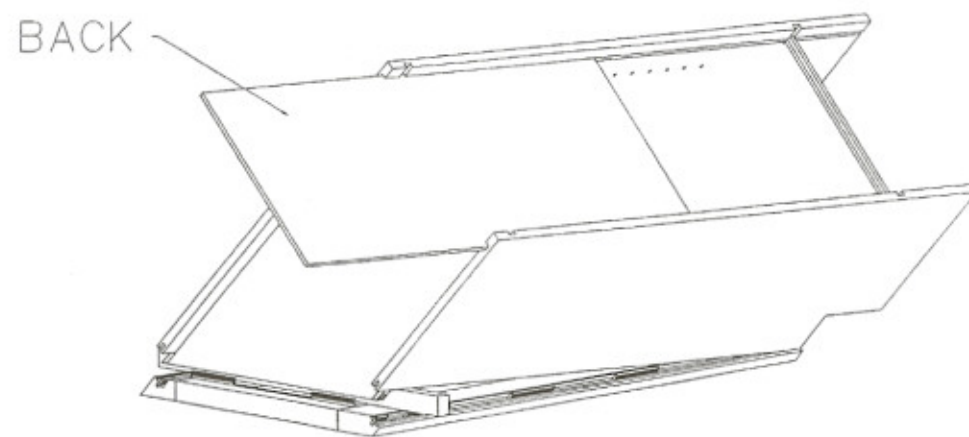
BASE END ANGLE CABINET

4. Slide the TOP and BOTTOM into the SIDE dovetails. Position the BOTTOM so that it is seated firmly on the splines at the bottom of the FRONT FRAME. Slide the TOP past the back groove in the SIDES.



BASE END ANGLE CABINET

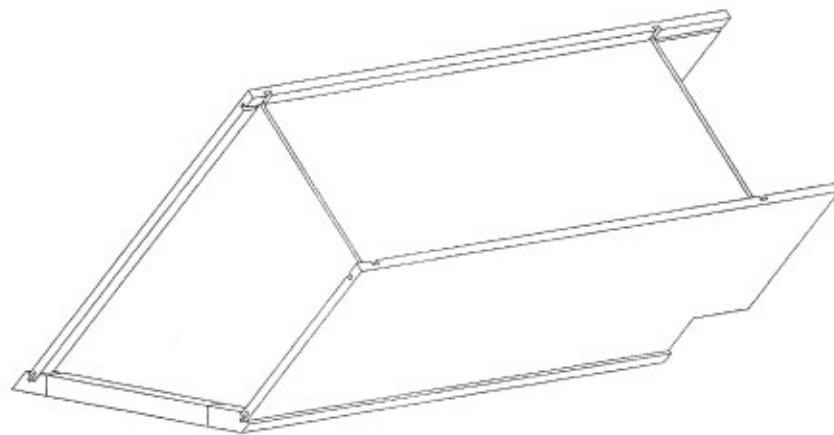
5. Slide the BACK into the grooves at the back of the SIDES. The BACK will fit into the rabbet at the back of the BOTTOM.



BASE END ANGLE CABINET

6. Slide SPACER from under the SIDES and seat SIDES and TOP firmly on splines in the FRONT FRAME.

7. Attach HANGER CLEATS following instructions on page #3 of this manual.



BASE END ANGLE CABINET

8. Attach TOEBOARD with glue and pins as shown.

