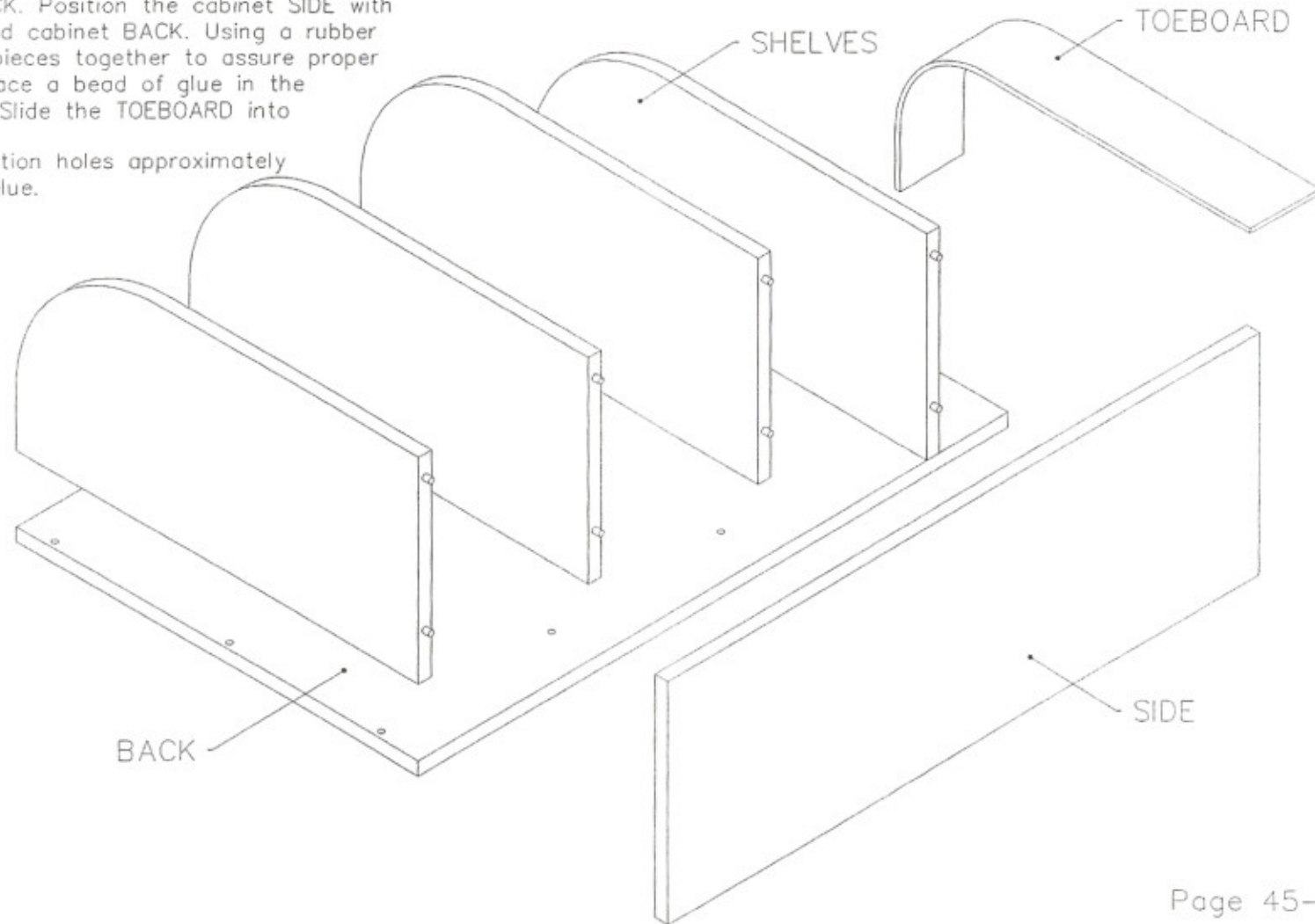


BASE OPEN SHELF

1. Insert a small amount of glue into each 8 mm construction hole. (Do not put glue between holes)
The amount of glue is critical to making a well constructed cabinet. Too much glue will prevent the joints from closing.....insufficient glue will affect the cabinet stability. Insert the SHELVES into the cabinet BACK. Position the cabinet SIDE with the SHELVES and cabinet BACK. Using a rubber mallet, tap all pieces together to assure proper construction. Place a bead of glue in the toeboard slots. Slide the TOEBOARD into place.

Note: Fill construction holes approximately 1/4 full of glue.



PENINSULA BASE OPEN SHELF

1. Insert a small amount of glue into each 8 mm construction hole. (Do not put glue between holes)
The amount of glue is critical to making a well constructed cabinet. Too much glue will prevent the joints from closing....insufficient glue will affect the cabinet stability. Insert the SHELVES and BOTTOM into the cabinet BACK. Insert the stile into the the BOTTOM dowel hole (as shown.) Using the dowels in the STILE and BACK, insert the TOP. Using a rubber mallet, top all pieces together to assure proper construction. Place a bead of glue in the toeboard slots. Slide the TOEBOARD into place.

Note: Fill construction holes approximately 1/4 full of glue.

