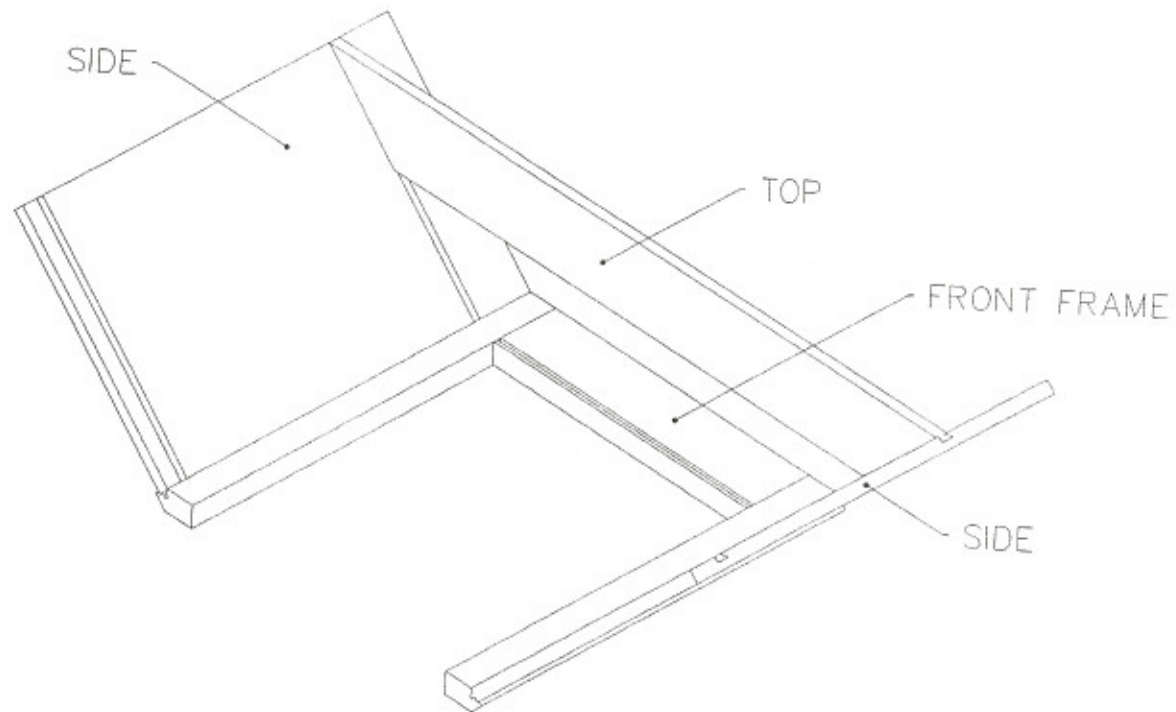


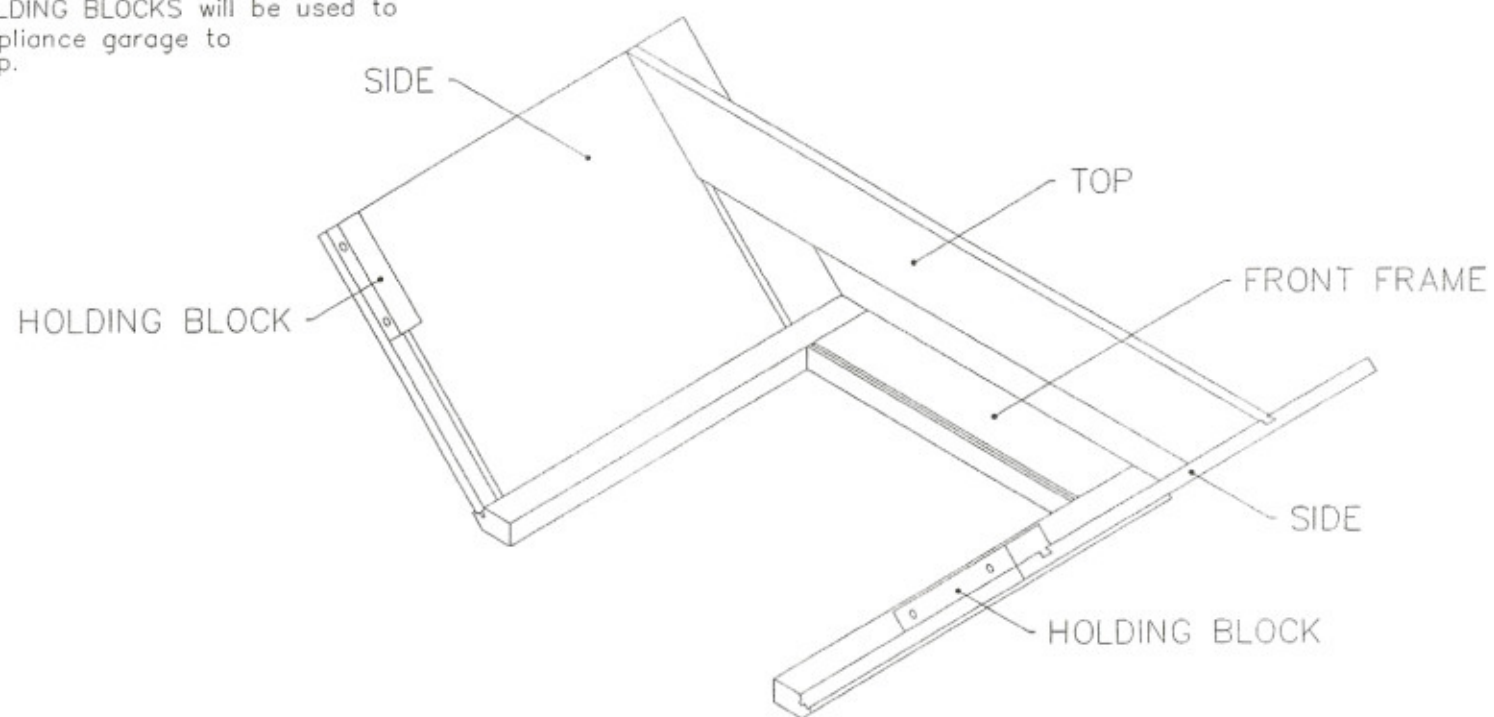
## CORNER APPLIANCE GARAGE

1. Push one SIDE down onto splines making sure the two pieces are lined up as illustrated.
2. Slide the TOP into the top female dovetail.
3. Align the other cabinet SIDE with the FRONT FRAME and TOP. Slide the cabinet SIDE down through the TOP and onto the splines in the FRONT until the SIDE is tight against the cabinet FRONT.



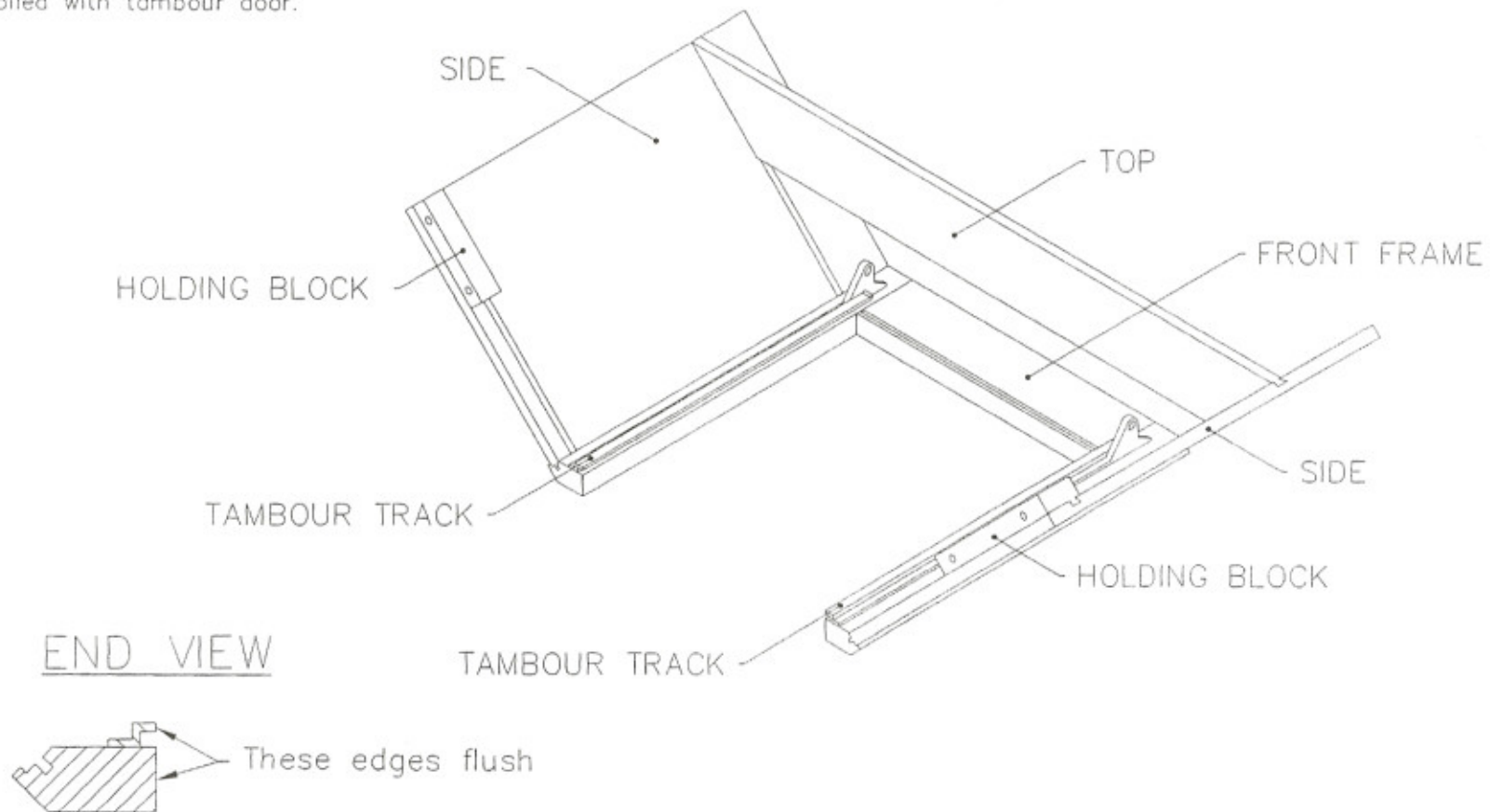
## CORNER APPLIANCE GARAGE (cont.)

4. Insert the HOLDING BLOCKS into the cabinet SIDES after spreading glue in the female dovetails of the SIDES. These HOLDING BLOCKS will be used to fasten appliance garage to countertop.



## CORNER APPLIANCE GARAGE (cont.)

5. If the TAMBOUR TRACK is ordered, staple the end of the track flush with the bottom end of the cabinet front and with the edges flush as shown in the "end view" below. Follow detailed installation instructions supplied with tambour door.



## CORNER APPLIANCE GARAGE (cont.)

6. Follow detailed installation instructions supplied with tambour door.

