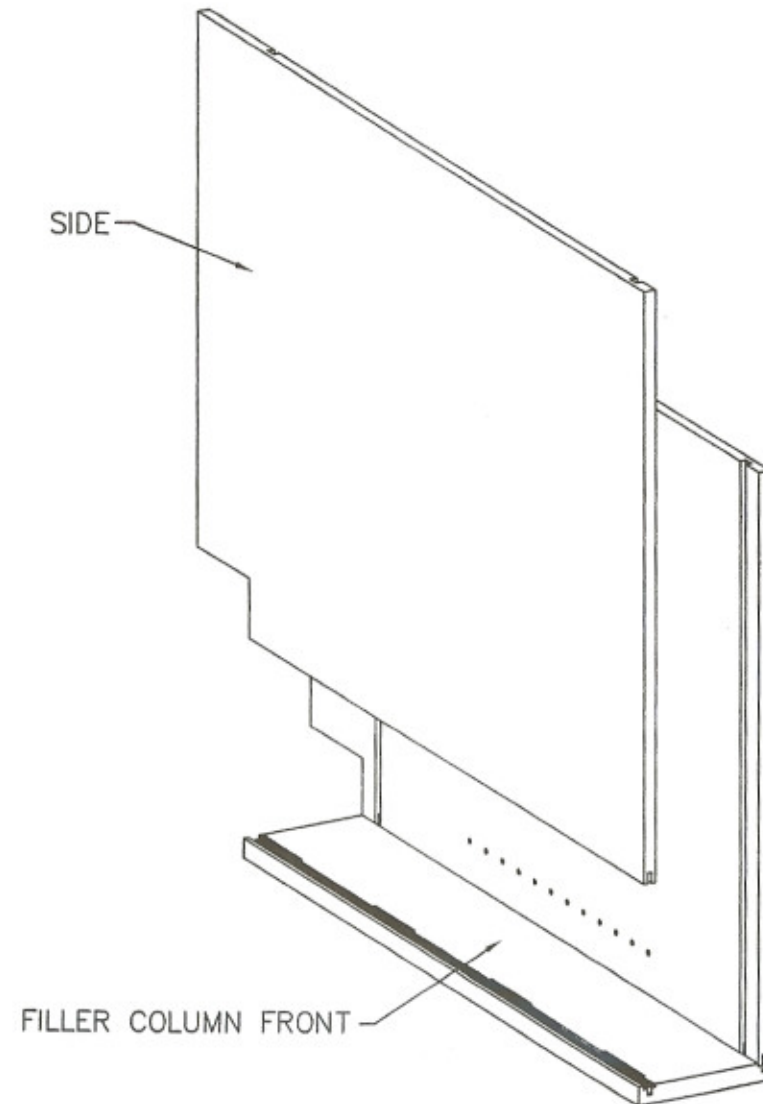


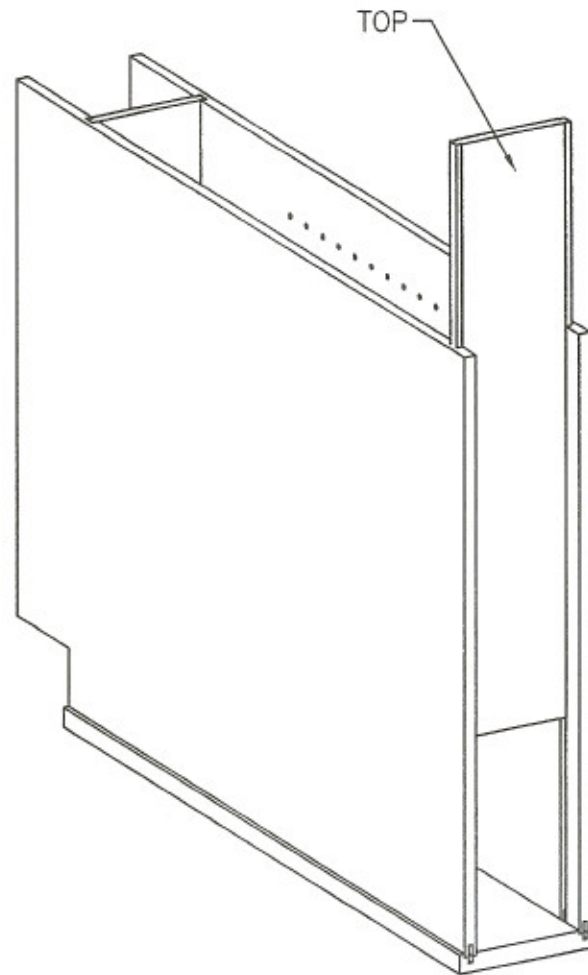
FILLER COLUMN CABINET

1. Place FILLER COLUMN FRONT face down on the worktable. Insert splines.
2. Place cabinet SIDES in FILLER COLUMN FRONT grooves.



FILLER COLUMN CABINET

3. Slide TOP & BOTTOMS into dovetails in sides until they contact the FILLER COLUMN FRONT.
4. FILLER COLUMN CABINETS do not use backs or hanger cleats.



FILLER COLUMN CABINET

5. On base and tall cabinets, glue and pin the TOEBOARD in place.

