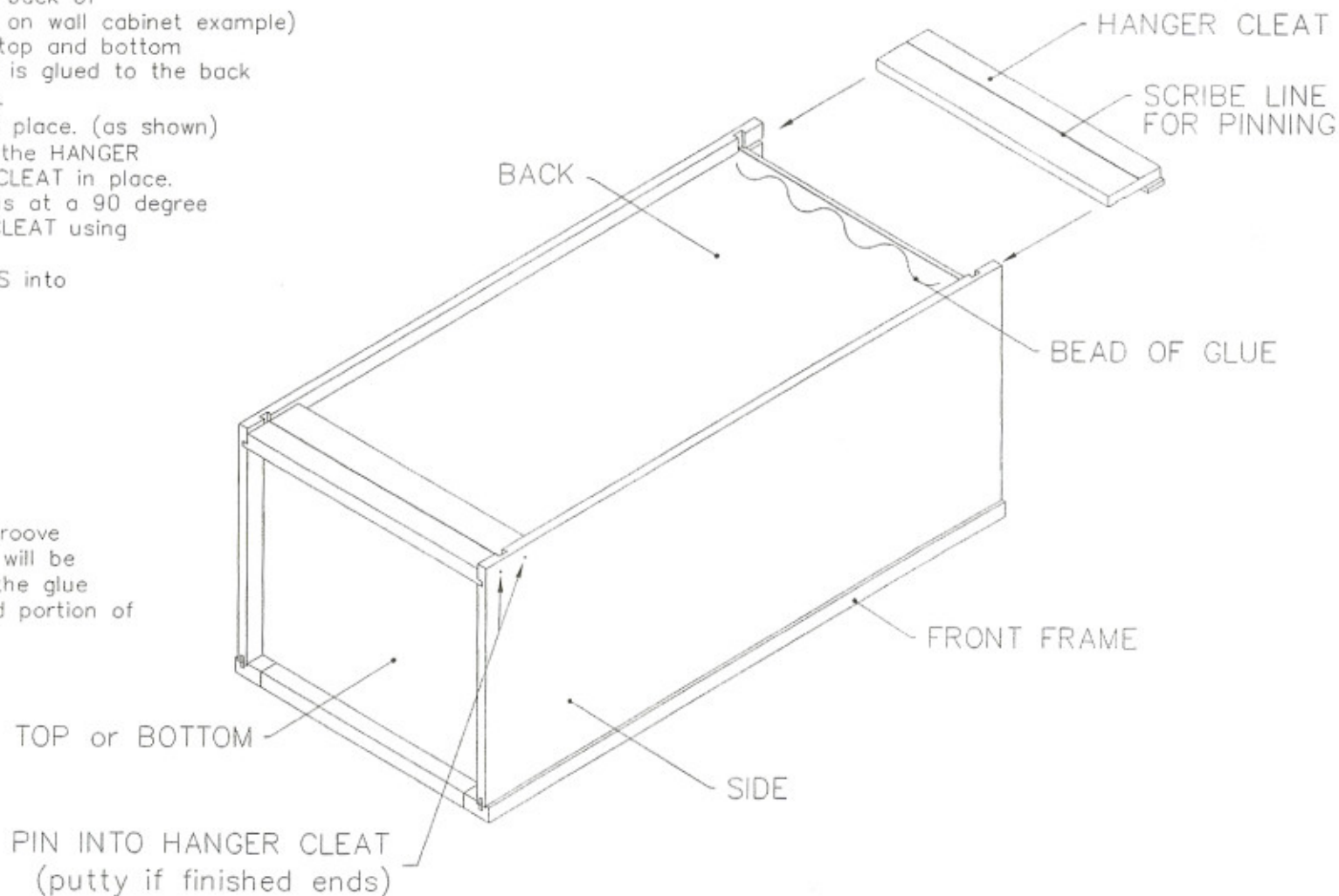


HOW TO ATTACH HANGER CLEATS

1. Lay wall or base cabinet face down on a clean, smooth surface.
2. Apply a bead of glue on back of cabinet BACK (as shown on wall cabinet example) and to the edge of the top and bottom to assure that the cleat is glued to the back and the top and bottom.
3. Slide HANGER CLEAT into place. (as shown)
4. Using the scribe line on the HANGER CLEAT, pin the HANGER CLEAT in place. Be sure to shoot the pins at a 90 degree angle into the HANGER CLEAT using at least 1" long pins. Pin through cabinet SIDES into HANGER CLEAT.

Note:

Place glue in the back groove where the hanger cleats will be inserted to assure that the glue adheres to the unfinished portion of the cabinet.



HOW TO ATTACH HANGER CLEATS w/ BACK JOINTER

1. Lay wall or base cabinet face down on a clean, smooth surface.
2. Apply a bead of glue on back of cabinet BACK. (as shown on wall cabinet example)
3. Slide HANGER CLEAT into place. (as shown)
4. Using the scribe line on the HANGER CLEAT, pin the HANGER CLEAT in place. Be sure to shoot the pins at a 90 degree angle into the HANGER CLEAT using at least 1" long pins. Pin through cabinet SIDES into HANGER CLEAT.

