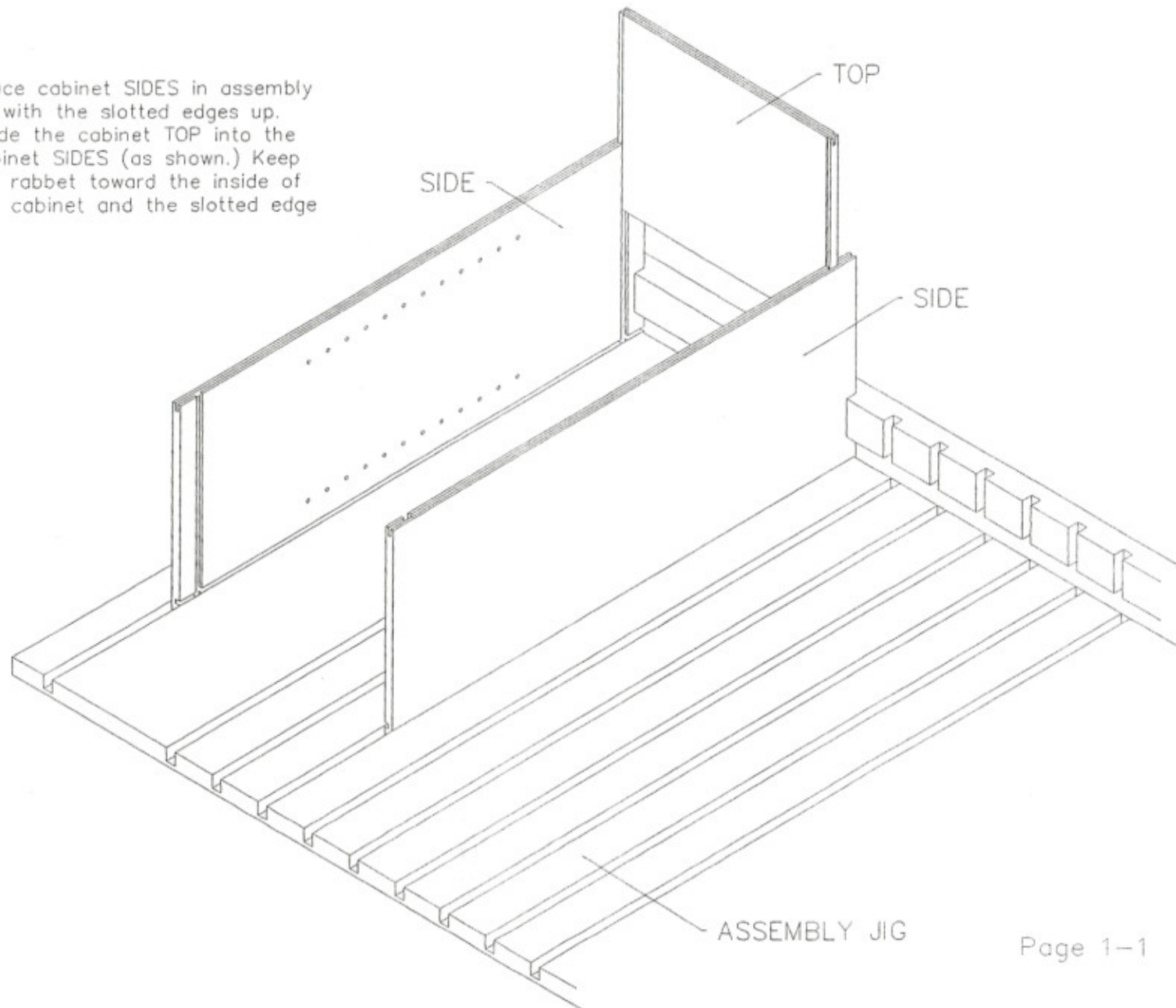


## HOW TO USE ASSEMBLY JIG

1. Place cabinet SIDES in assembly jig with the slotted edges up.
2. Slide the cabinet TOP into the cabinet SIDES (as shown.) Keep the rabbet toward the inside of the cabinet and the slotted edge up.



## HOW TO USE ASSEMBLY JIG (cont.)

- Slide the cabinet BACK into the ploughs at the back of the SIDES. The cabinet BACK will fit into the rabbet on the cabinet TOP.
- Slide the cabinet BOTTOM into the cabinet SIDES. Be sure to keep the rabbet toward the inside of the cabinet.
- Prepare the FRONT FRAME per the instructions on page #2.
- After spreading glue on the slotted edges of the SIDES, TOP and BOTTOM, the FRONT FRAME can now be attached. Match up the splines in the front frame to the slots in the cabinet box. Tap the FRONT on with a rubber mallet. Be sure the cabinet front is pressed firmly onto the cabinet box.
- To attach HANGER CLEATS see page #3.

