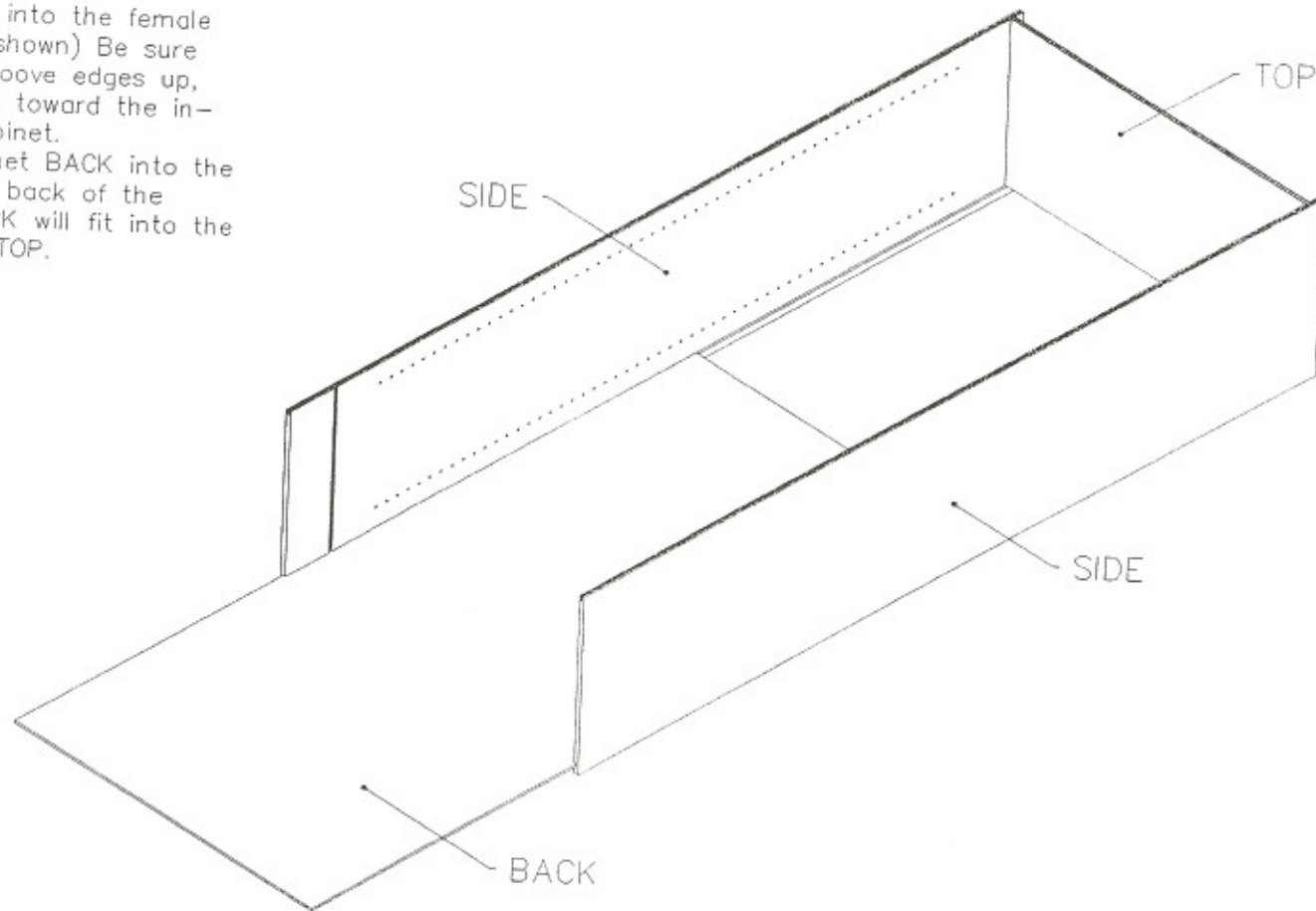


OTHER ROOM CABINETS

1. Hold cabinet SIDES upright (as shown.)
2. Slide the TOP into the female dovetails. (as shown) Be sure to keep the groove edges up, and the rabbet toward the inside of the cabinet.
3. Slide the cabinet BACK into the ploughs at the back of the SIDES. The BACK will fit into the rabbet on the TOP.

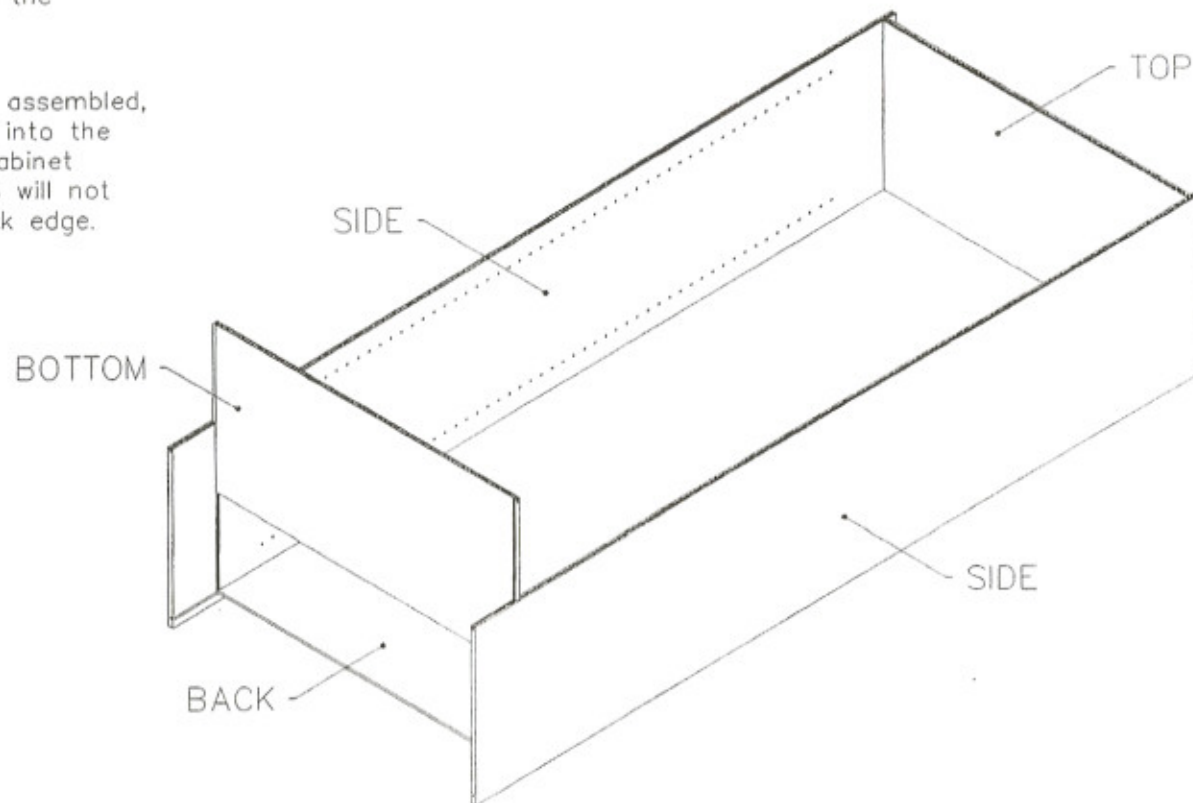


OTHER ROOM CABINETS (cont.)

- Slide the BOTTOM into the cabinet side dovetail. (as shown) Be sure to keep the groove edges up, and the rabbet toward the inside of the cabinet. The cabinet BACK will fit into the rabbet on the BOTTOM.

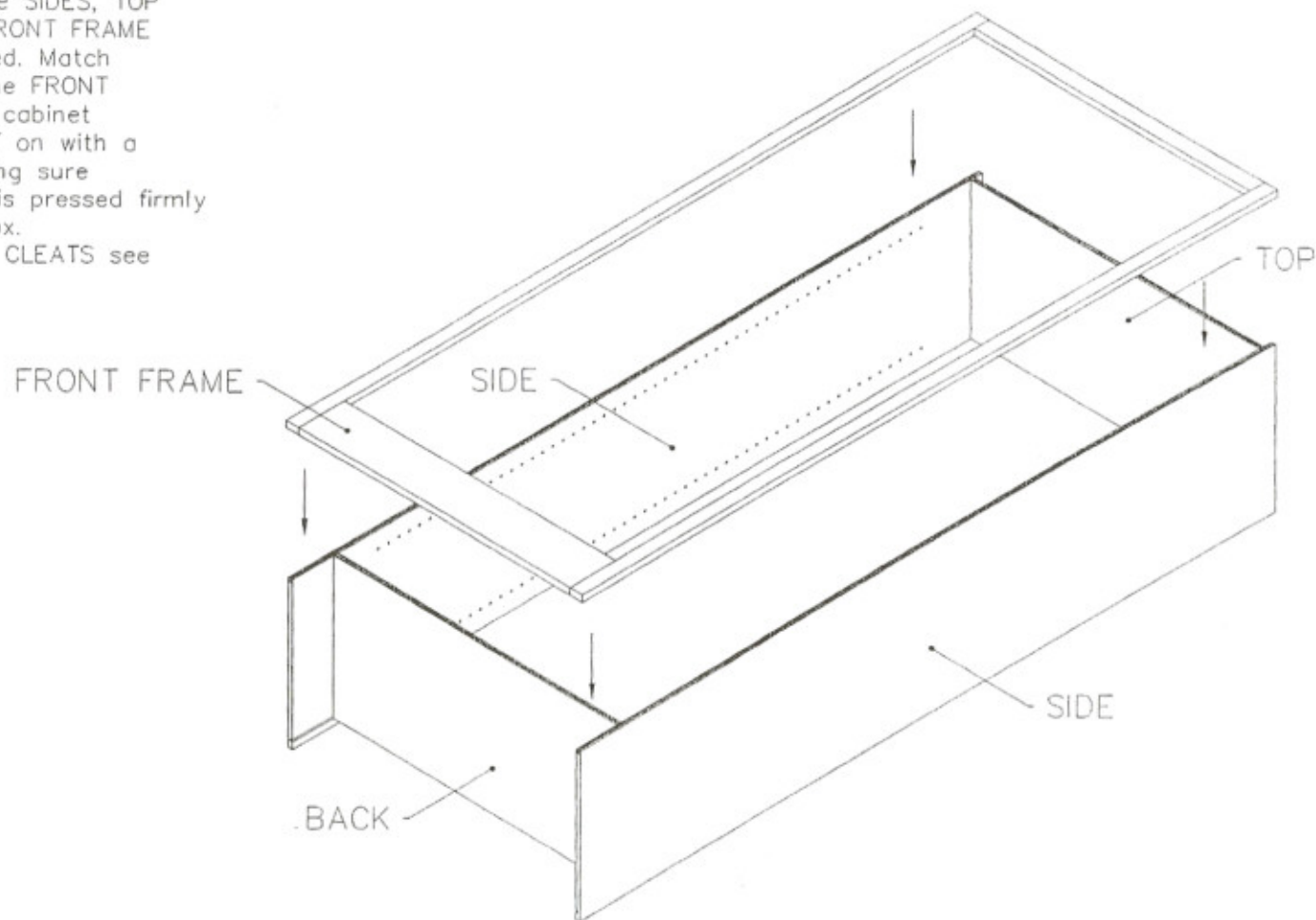
NOTE:

If a ORA or ORB is being assembled, insert the FIXED SHELVES into the female dovetails on the cabinet SIDES. The FIXED SHELVES will not have a rabbet on the back edge.



OTHER ROOM CABINETS (cont.)

5. After inserting splines into FRONT FRAME, spread glue on the slotted edges of the SIDES, TOP and BOTTOM, the FRONT FRAME can now be attached. Match up the splines in the FRONT to the slots in the cabinet box. Tap the FRONT on with a rubber mallet, making sure the cabinet FRONT is pressed firmly onto the cabinet box.
6. To attach HANGER CLEATS see page #3.



OTHER ROOM CABINETS (cont.)

7. Turn cabinet over so it is lying on its FRONT FRAME. Spread glue on two sides of glue block and position them as illustrated. Use three blocks on each side.

