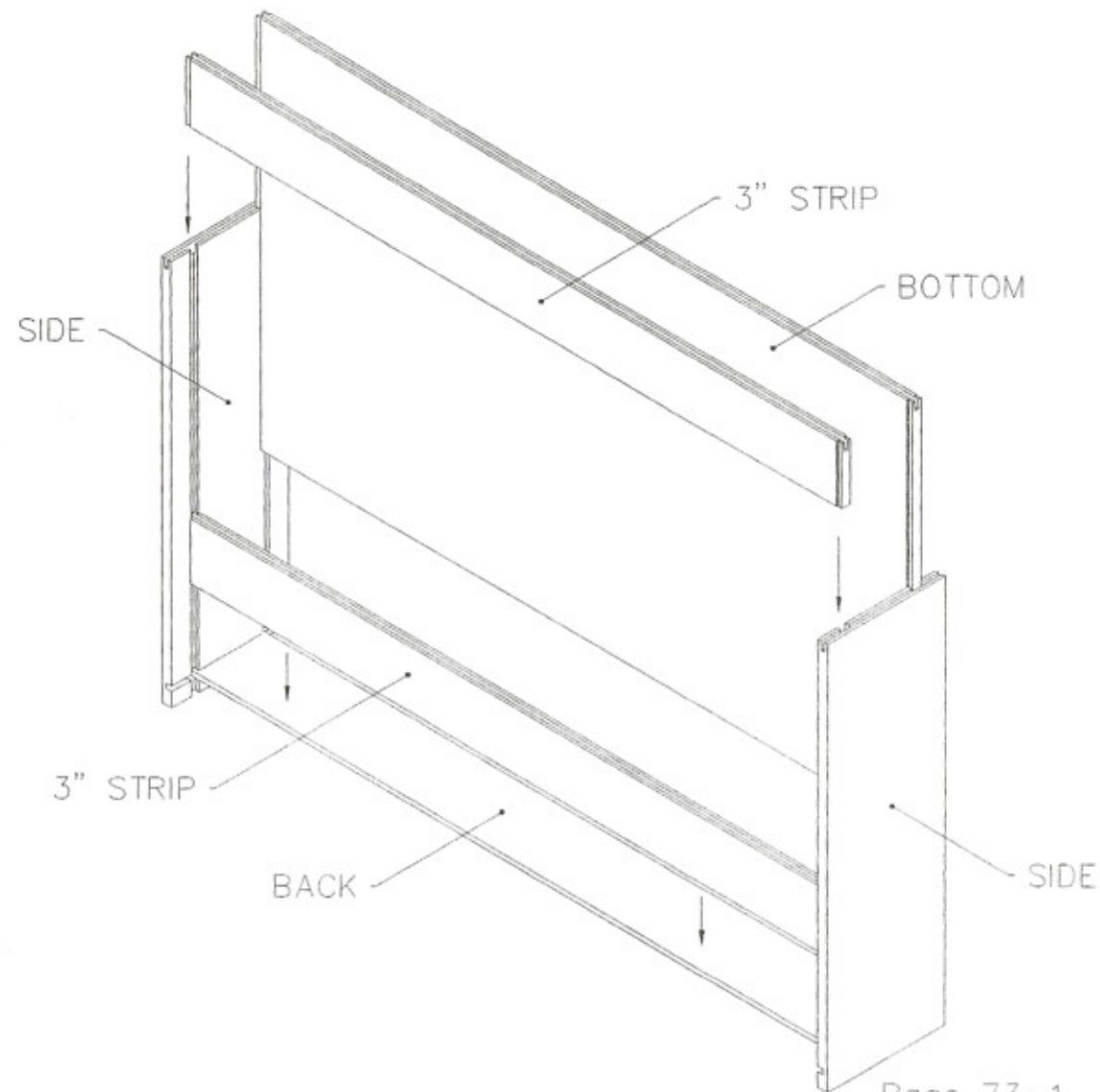


PLANNING DESK

1. Place the desk SIDES in assembly jig with slotted edges up.
2. Slide the BOTTOM into the female dovetails. (as shown) Be sure to keep the groove edges up, and the rabbet toward the inside of the cabinet.
3. Slide the cabinet BACK into the ploughs at the back of the SIDES. The BACK will fit into the rabbet on the BOTTOM.
4. Slide the 3" STRIPS into the female dovetails. (as shown) Be sure to keep the groove edges up, and the rabbet toward the inside of the cabinet.



PLANNING DESK (cont.)

5. After inserting splines into FRONT FRAME, spread glue into the slotted edges of the SIDES, TOP and BOTTOM, the FRONT FRAME can now be attached. Match up the splines in the FRONT to the slots in the cabinet box. Tap the FRONT on with a rubber mallet, making sure the cabinet FRONT is pressed firmly onto the cabinet box.

