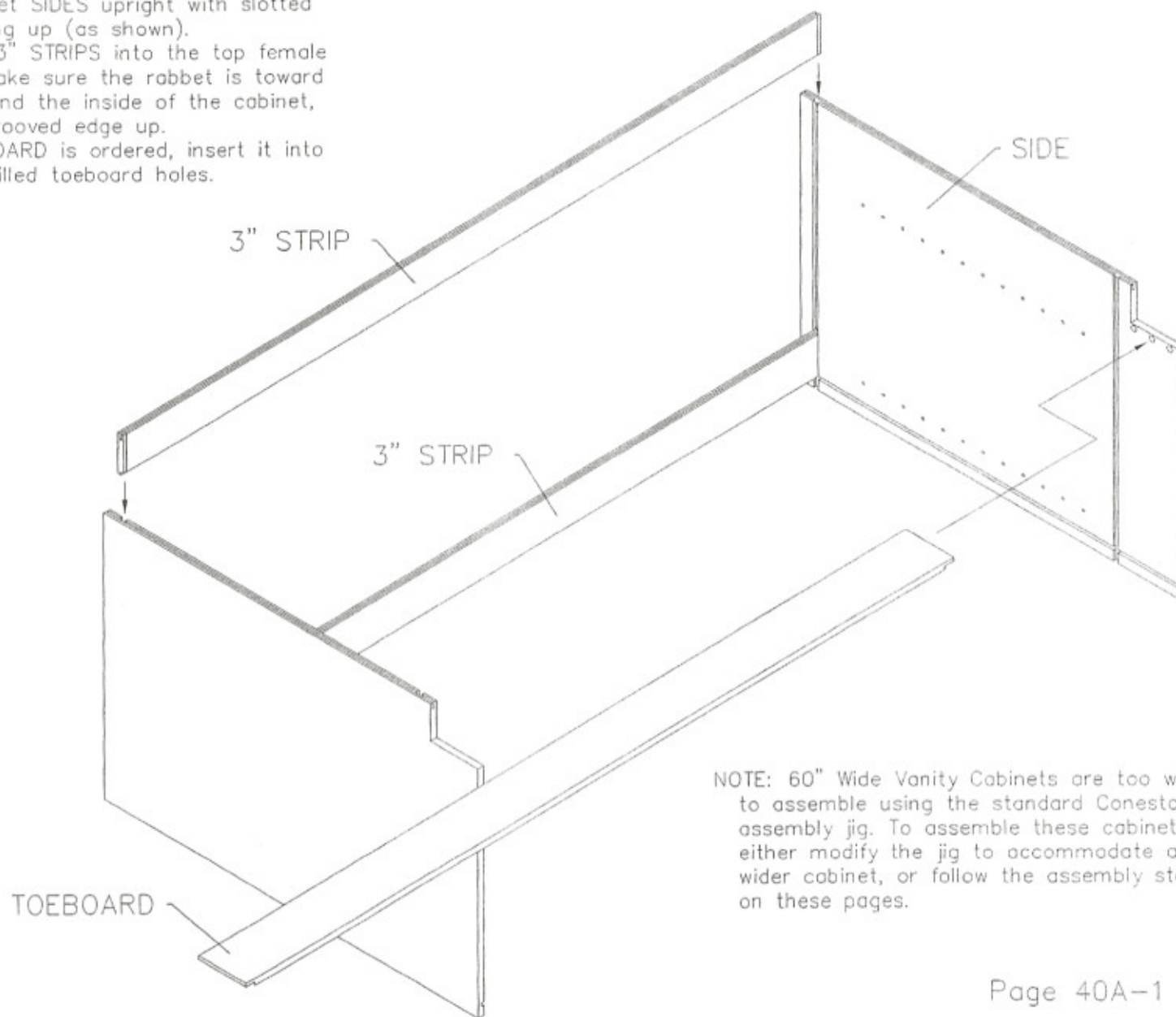


## 60" WIDE VANITY CABINET

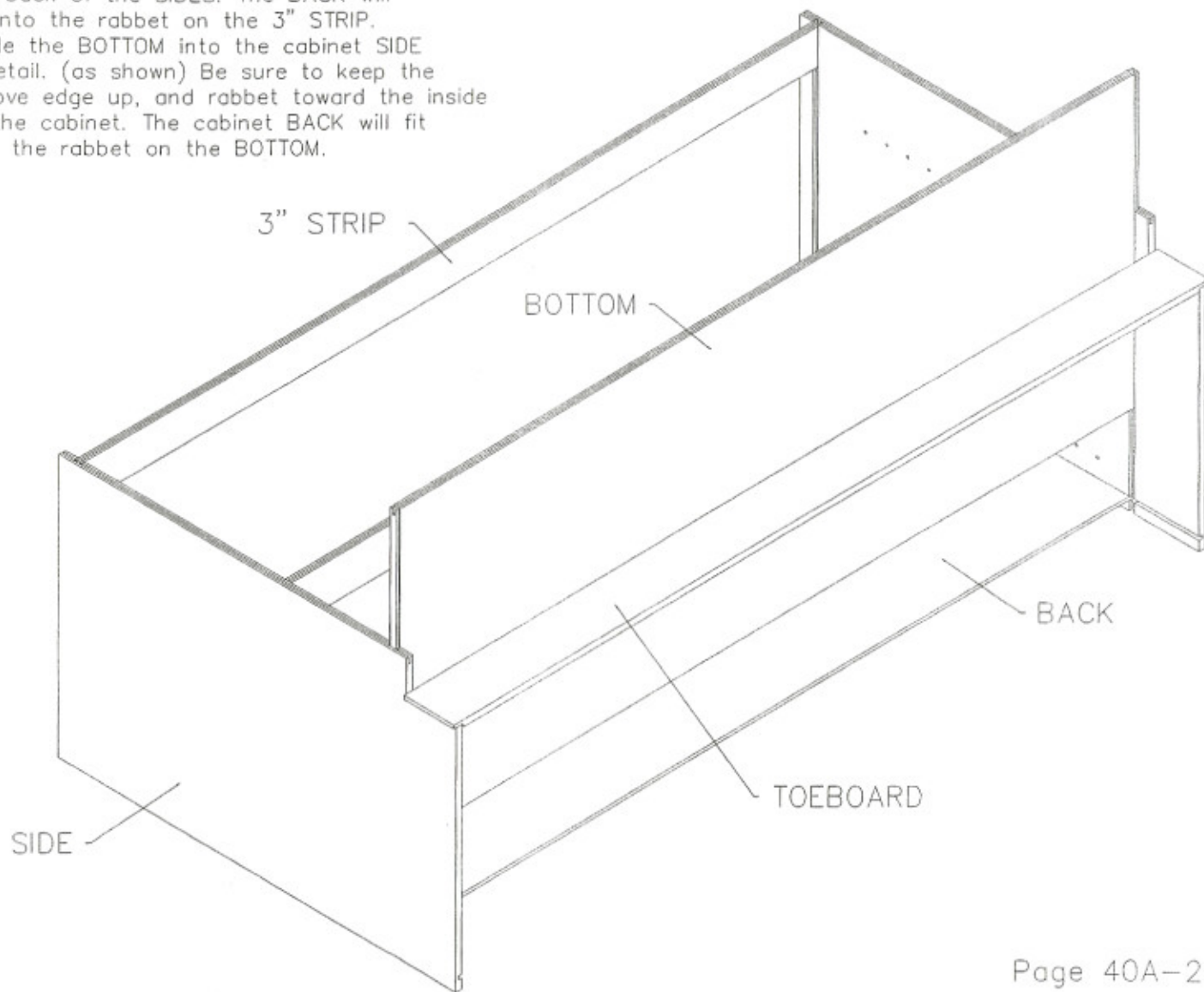
1. Hold cabinet SIDES upright with slotted edges facing up (as shown).
2. Slide the 3" STRIPS into the top female dovetail. Make sure the rabbet is toward the back and the inside of the cabinet, with the grooved edge up.
3. If a TOEBOARD is ordered, insert it into the pre-drilled toeboard holes.



NOTE: 60" Wide Vanity Cabinets are too wide to assemble using the standard Conestoga assembly jig. To assemble these cabinets either modify the jig to accommodate a wider cabinet, or follow the assembly steps on these pages.

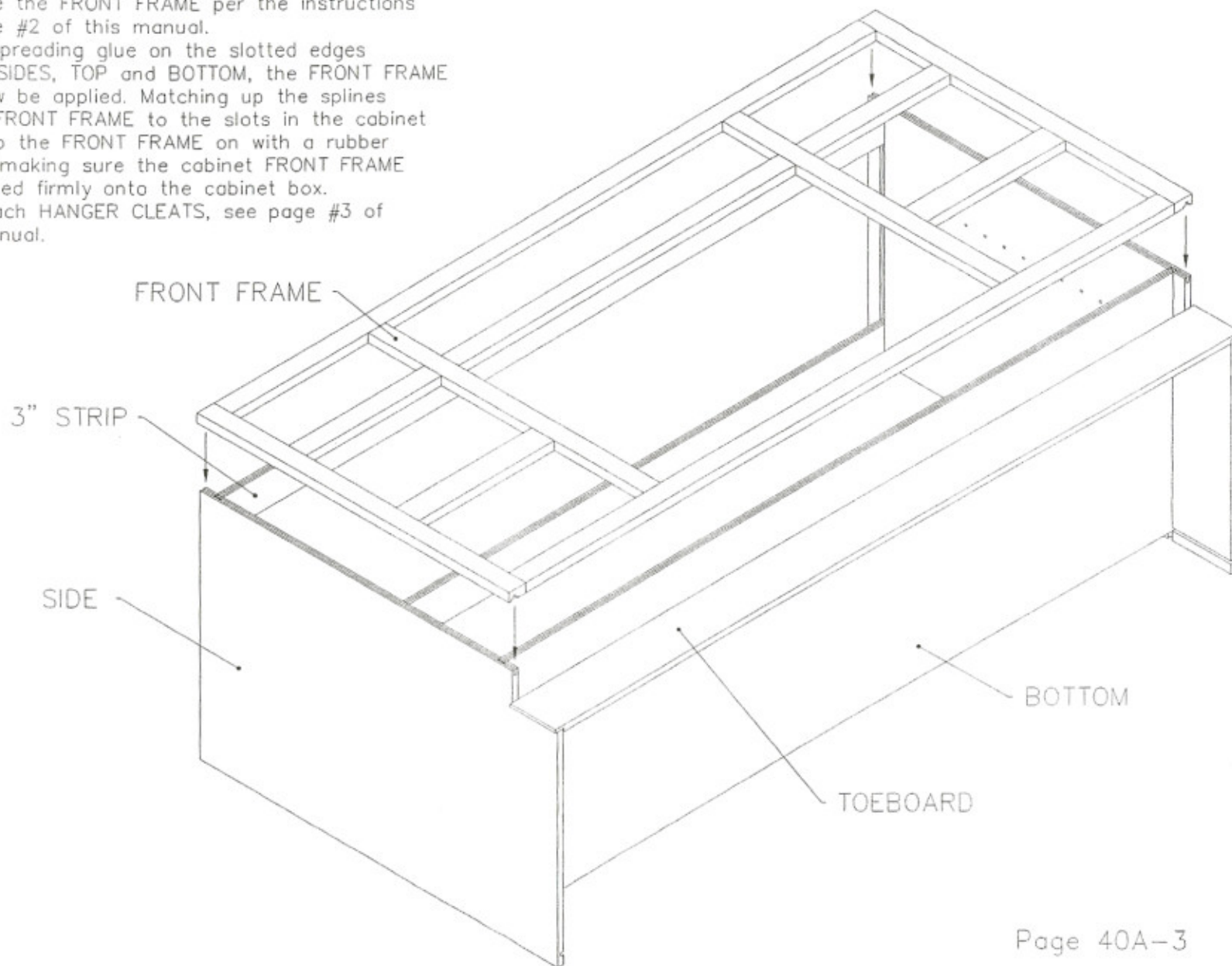
## 60" WIDE VANITY CABINET (cont.)

4. Slide the cabinet BACK into the ploughs at the back of the SIDES. The BACK will fit into the rabbet on the 3" STRIP.
5. Slide the BOTTOM into the cabinet SIDE dovetail. (as shown) Be sure to keep the groove edge up, and rabbet toward the inside of the cabinet. The cabinet BACK will fit into the rabbet on the BOTTOM.



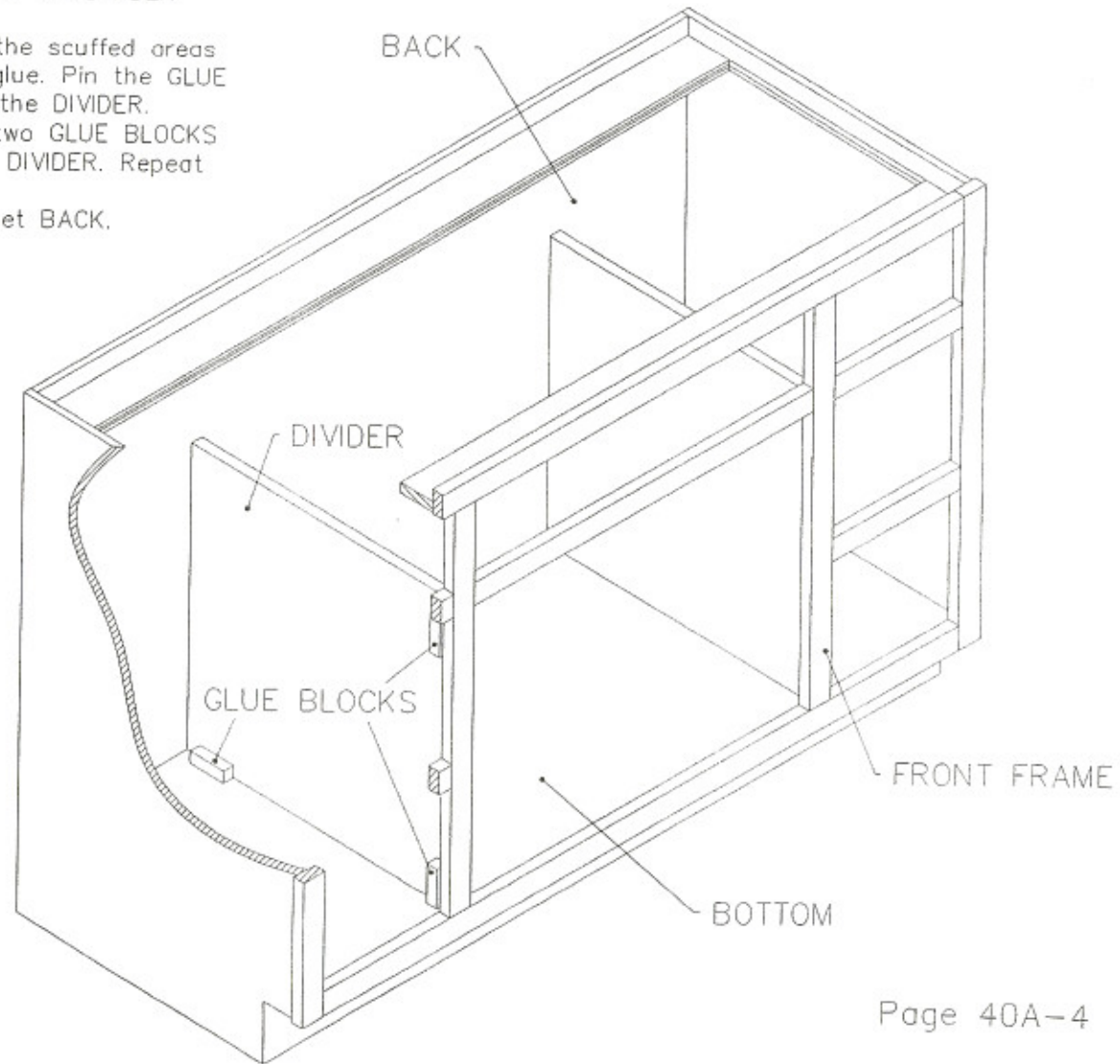
## 60" WIDE VANITY CABINET (cont.)

6. Prepare the FRONT FRAME per the instructions on page #2 of this manual.
7. After spreading glue on the slotted edges of the SIDES, TOP and BOTTOM, the FRONT FRAME can now be applied. Matching up the splines in the FRONT FRAME to the slots in the cabinet box, tap the FRONT FRAME on with a rubber mallet, making sure the cabinet FRONT FRAME is pressed firmly onto the cabinet box.
8. To attach HANGER CLEATS, see page #3 of this manual.



## 60" WIDE VANITY CABINET (cont.)

- Place one of the DIVIDERS in the desired position in the assembled cabinet.
- Scuff sand two areas approximately 4" x 1" adjacent to each other on cabinet BOTTOM and lower edge of DIVIDER on the side of the DIVIDER closest to the drawer bank.
- Apply a small amount of glue to the scuffed areas and press a GLUE BLOCK into the glue. Pin the GLUE BLOCK to the cabinet BOTTOM and the DIVIDER.
- Repeat the above steps and use two GLUE BLOCKS to attach the FRONT FRAME to the DIVIDER. Repeat steps for additional DIVIDER.
- Pin DIVIDER in place through cabinet BACK.



NOTE: Section of cabinet removed to show location of DIVIDER and GLUE BLOCKS.