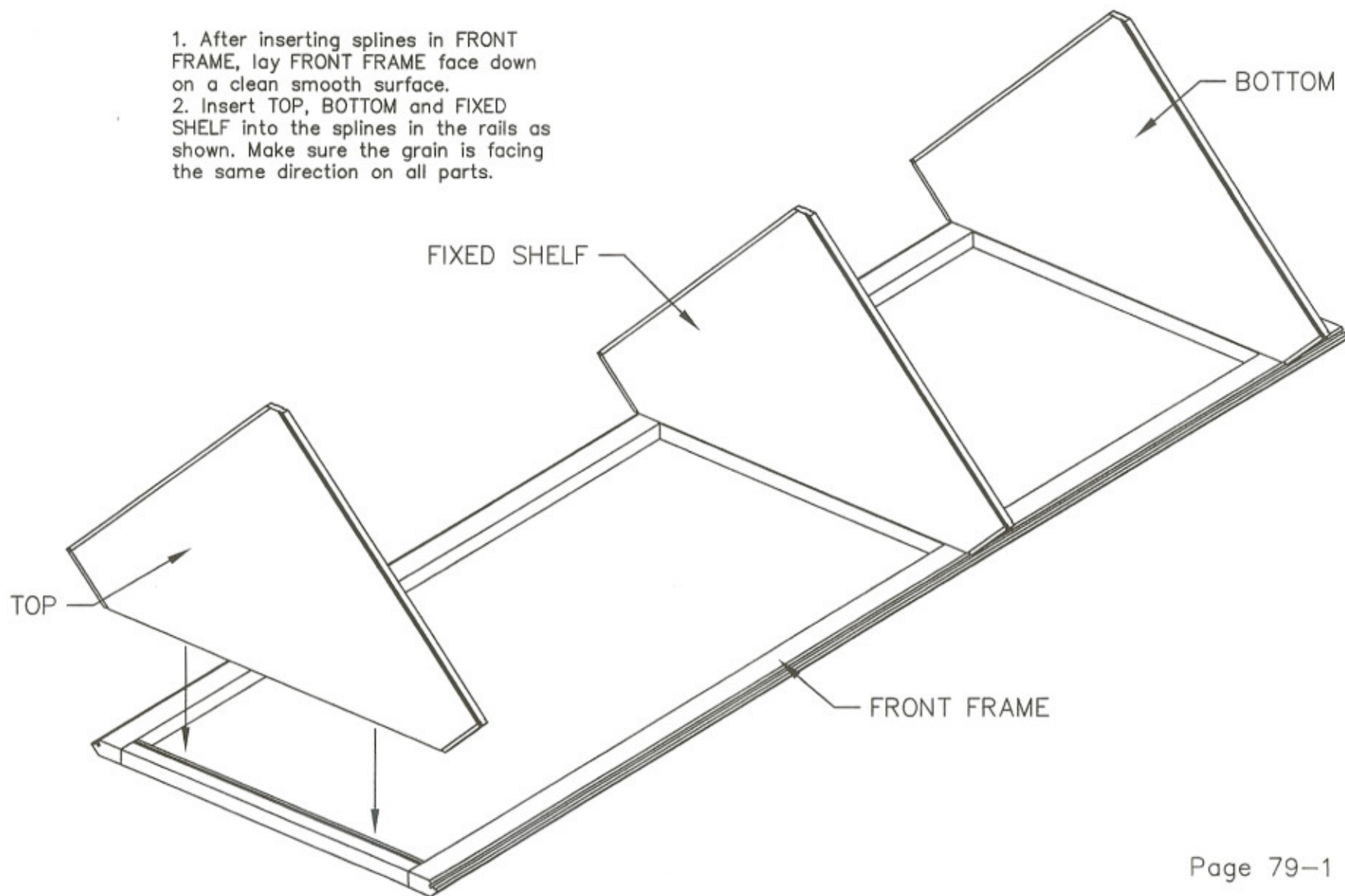


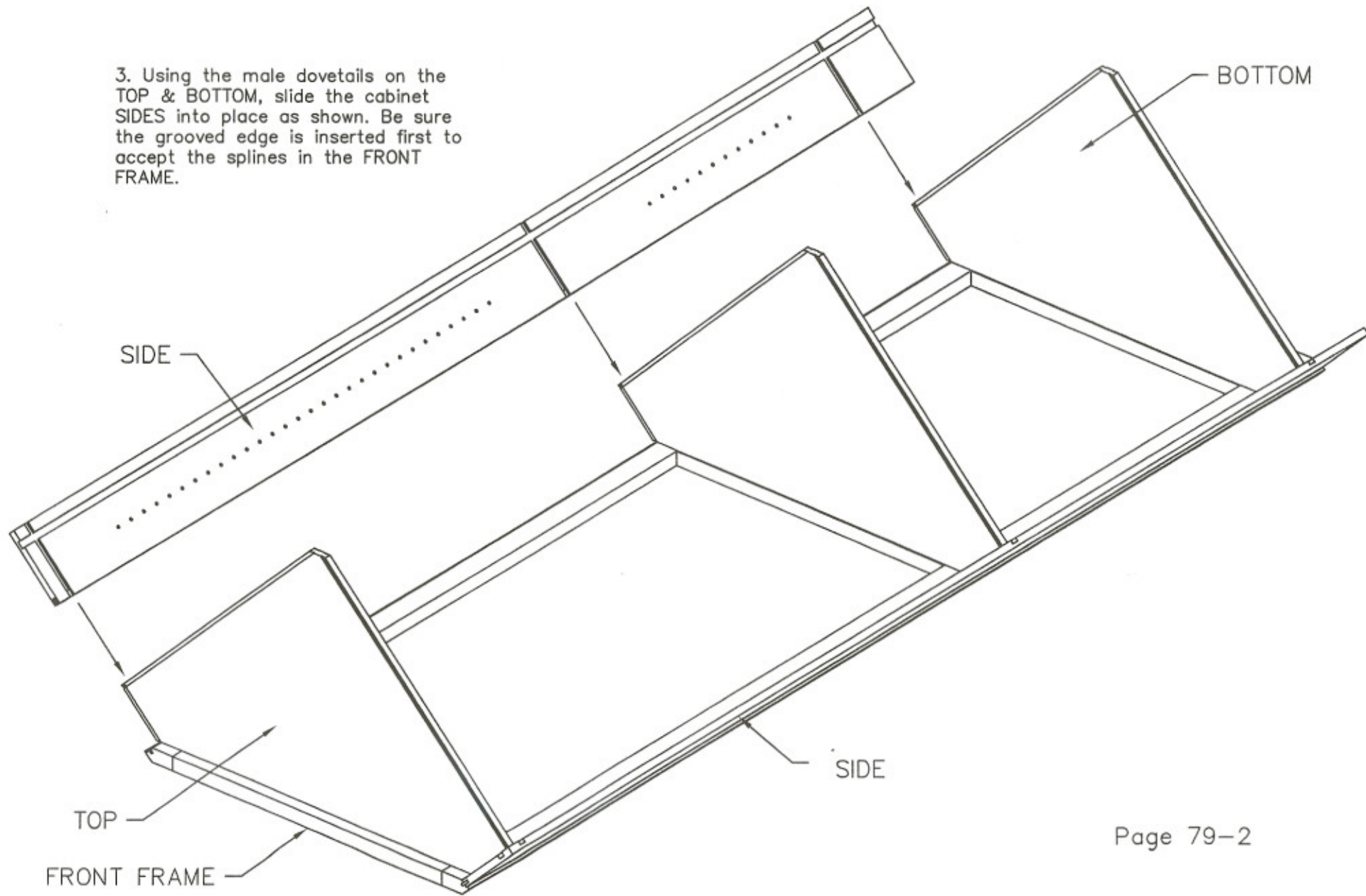
TALL CORNER HUTCH

1. After inserting splines in FRONT FRAME, lay FRONT FRAME face down on a clean smooth surface.
2. Insert TOP, BOTTOM and FIXED SHELF into the splines in the rails as shown. Make sure the grain is facing the same direction on all parts.



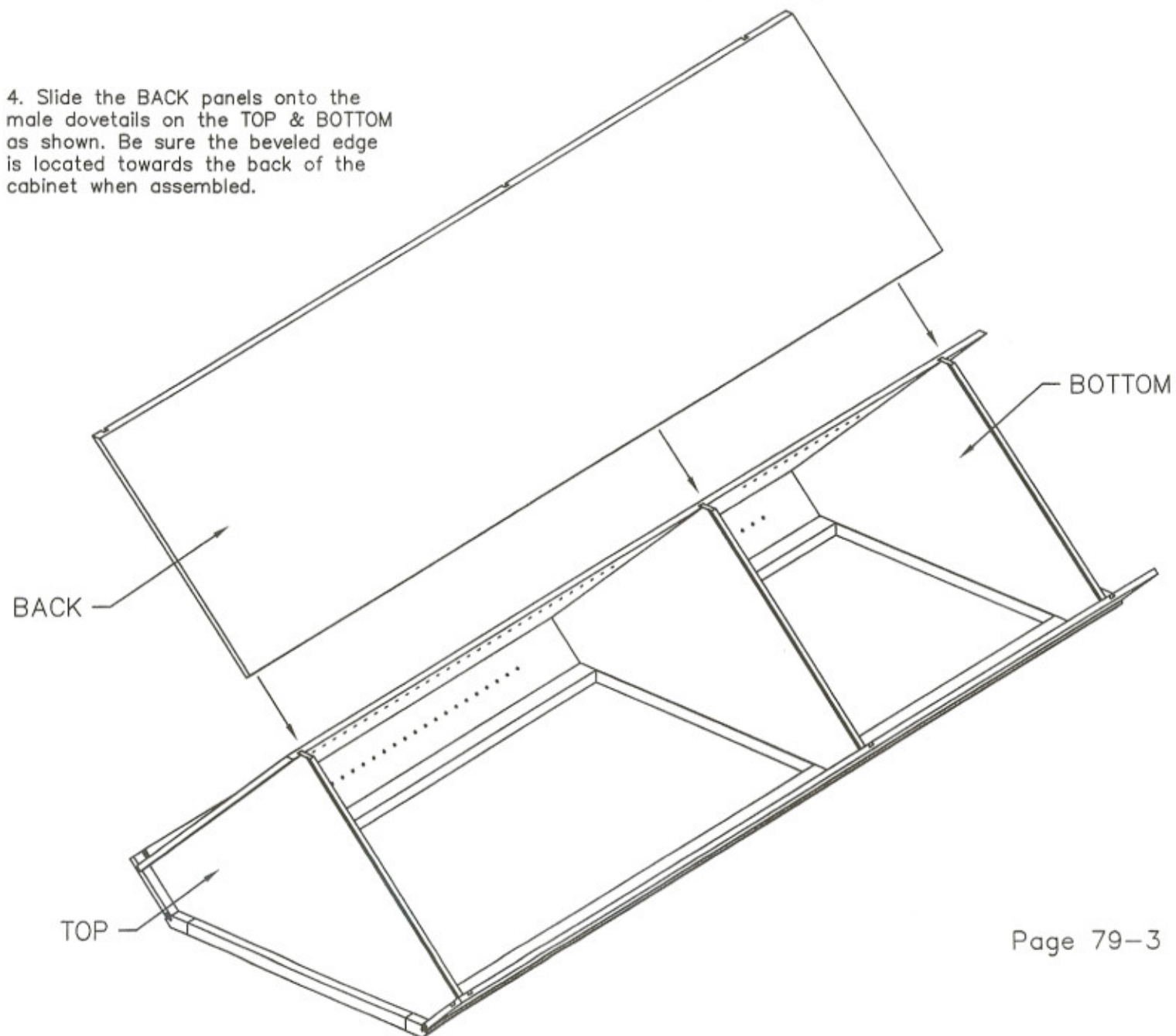
TALL CORNER HUTCH (cont.)

3. Using the male dovetails on the TOP & BOTTOM, slide the cabinet SIDES into place as shown. Be sure the grooved edge is inserted first to accept the splines in the FRONT FRAME.



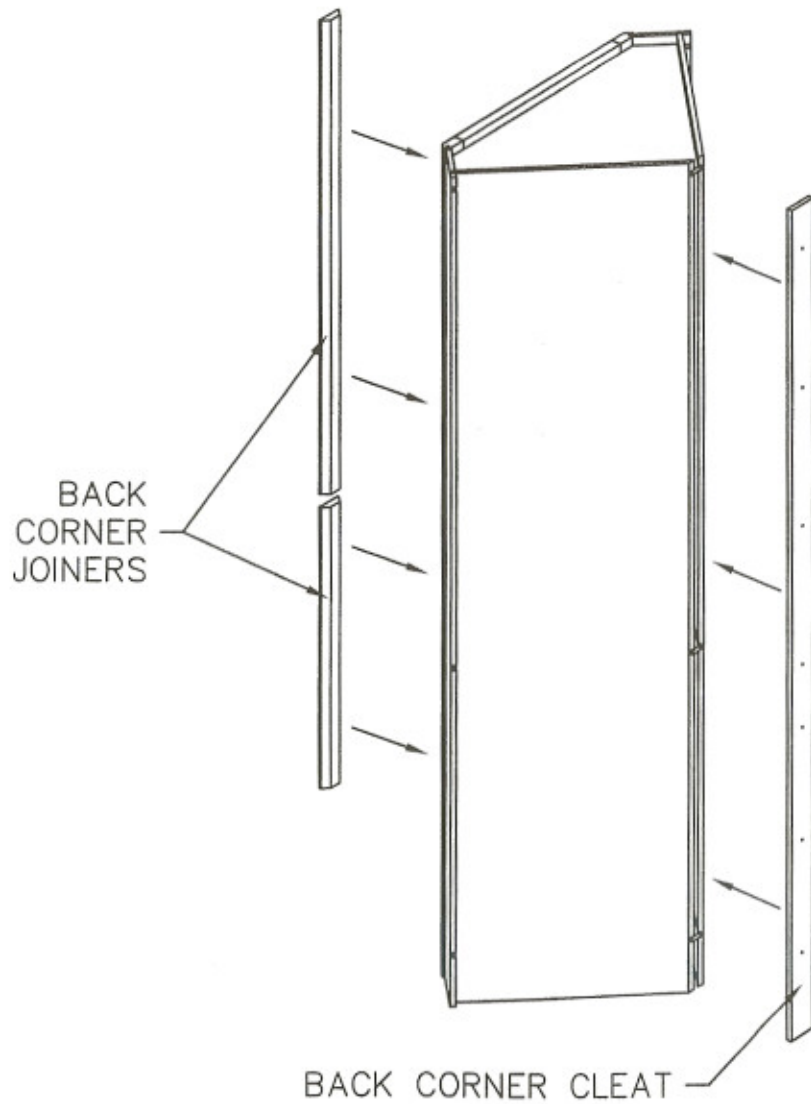
TALL CORNER HUTCH (cont.)

4. Slide the BACK panels onto the male dovetails on the TOP & BOTTOM as shown. Be sure the beveled edge is located towards the back of the cabinet when assembled.



TALL CORNER HUTCH (cont.)

5. Stand the cabinet upright.
6. Using 1 1/2" long screws, screw through the BACK CORNER CLEAT and into the BACK CORNER JOINERS until tight.



TOP VIEW

