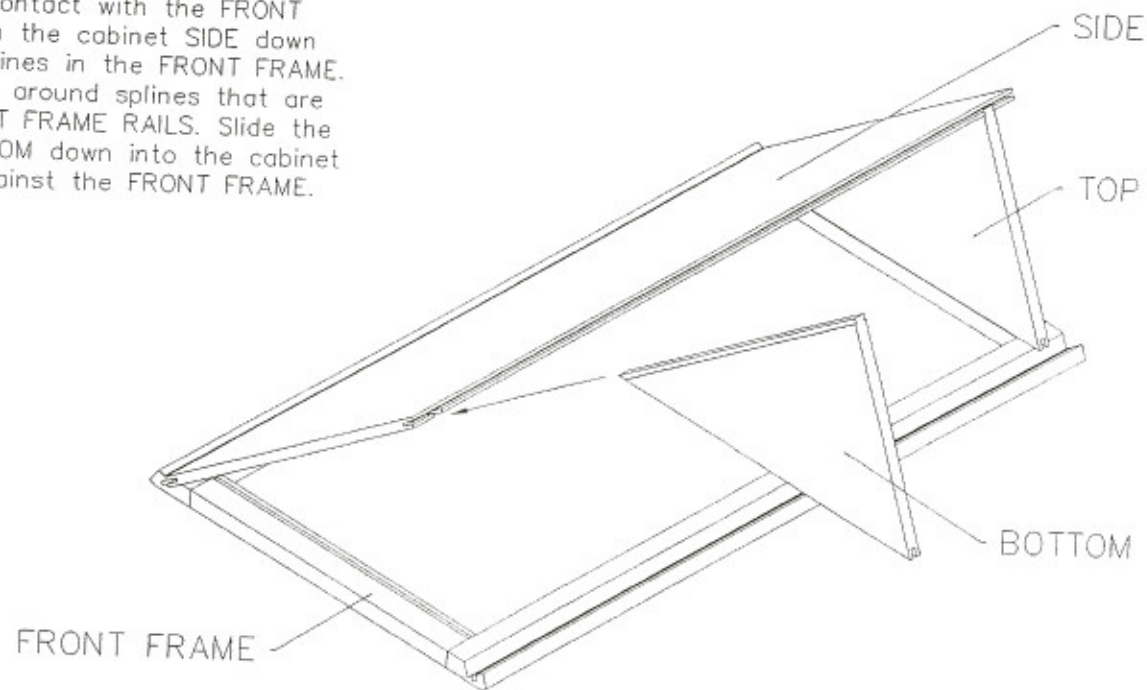


WALL ANGLE END CABINET

1. Insert splines in FRONT FRAME as illustrated on page #2.
2. Line up the cabinet SIDE with the cabinet FRONT. Spread glue around the splines where the SIDES will come into contact with the FRONT FRAME. Push the cabinet SIDE down onto the splines in the FRONT FRAME.
3. Spread glue around splines that are in the FRONT FRAME RAILS. Slide the TOP & BOTTOM down into the cabinet SIDE and against the FRONT FRAME.



WALL ANGLE END CABINET (cont.)

4. The remaining cabinet SIDE can be placed down onto the FRONT FRAME. (as shown) Remember to put glue on the FRONT FRAME where the SIDE will come in contact with the FRONT FRAME.
5. The BACK CORNER PIECE should have splines inserted in it before assembly. One $7/8$ " long spline should be placed in each corner of the grooves. Four 6" long splines should be used, two in each groove. Spread glue around the splines where the two SIDES will come into contact with the BACK CORNER PIECE.

