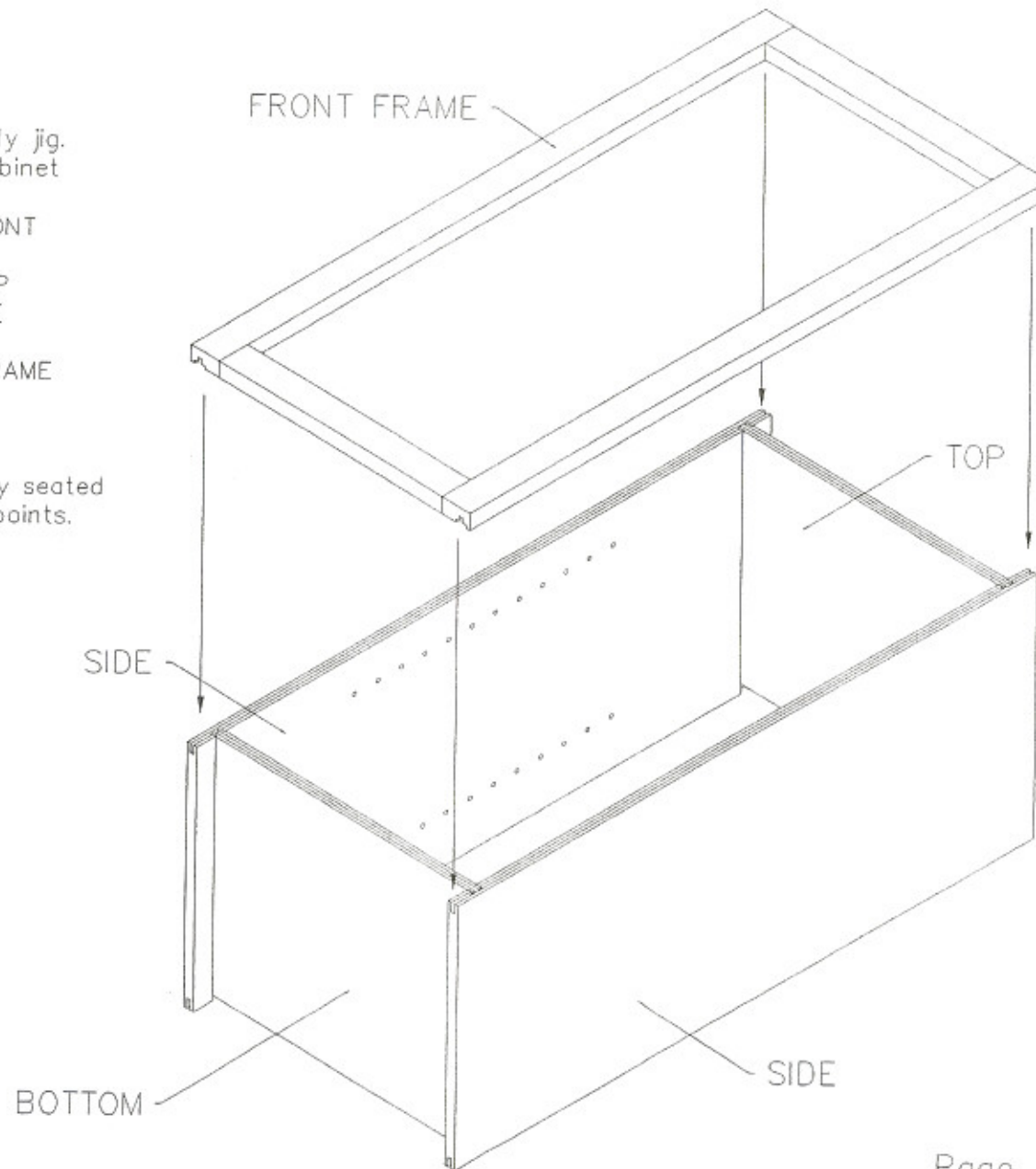


## WALL DOUBLE ENTRY CABINETS

1. Place cabinet SIDES in assembly jig.
2. Slide TOP and BOTTOM into cabinet SIDE dovetail. (as shown)
3. After inserting splines into FRONT FRAME, spread glue on the slotted edges of the SIDES, TOP and BOTTOM. The FRONT FRAME can now be attached. Match up the splines in the FRONT FRAME to the slots in the cabinet box. Tap the FRONT on with a rubber mallet, making sure the cabinet FRONT is completely seated against the cabinet box at all points.



## WALL DOUBLE ENTRY CABINETS (cont.)

4. Flip cabinet over on a clean surface.
5. Repeat step #3 to attach other FRONT FRAME.

