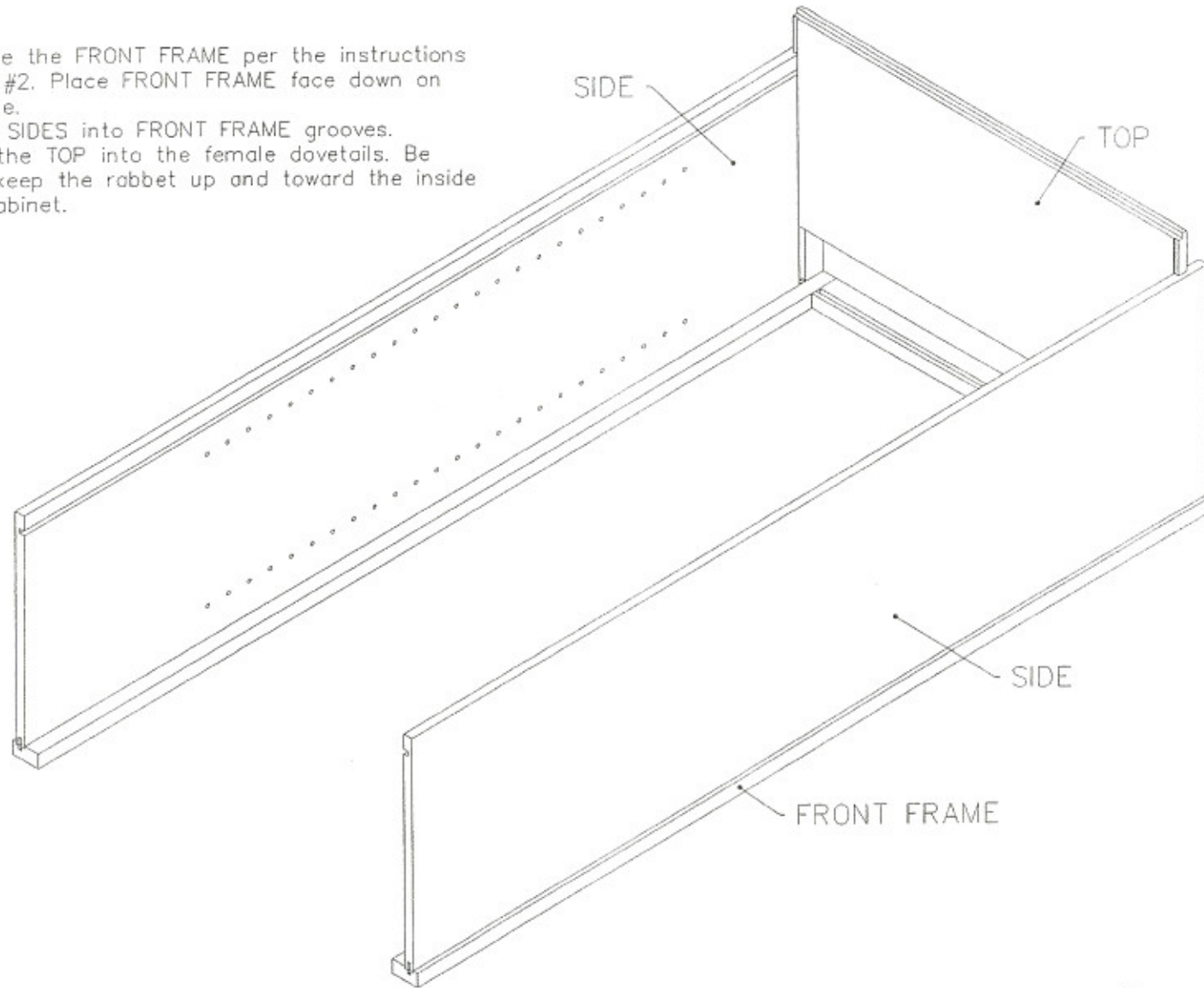


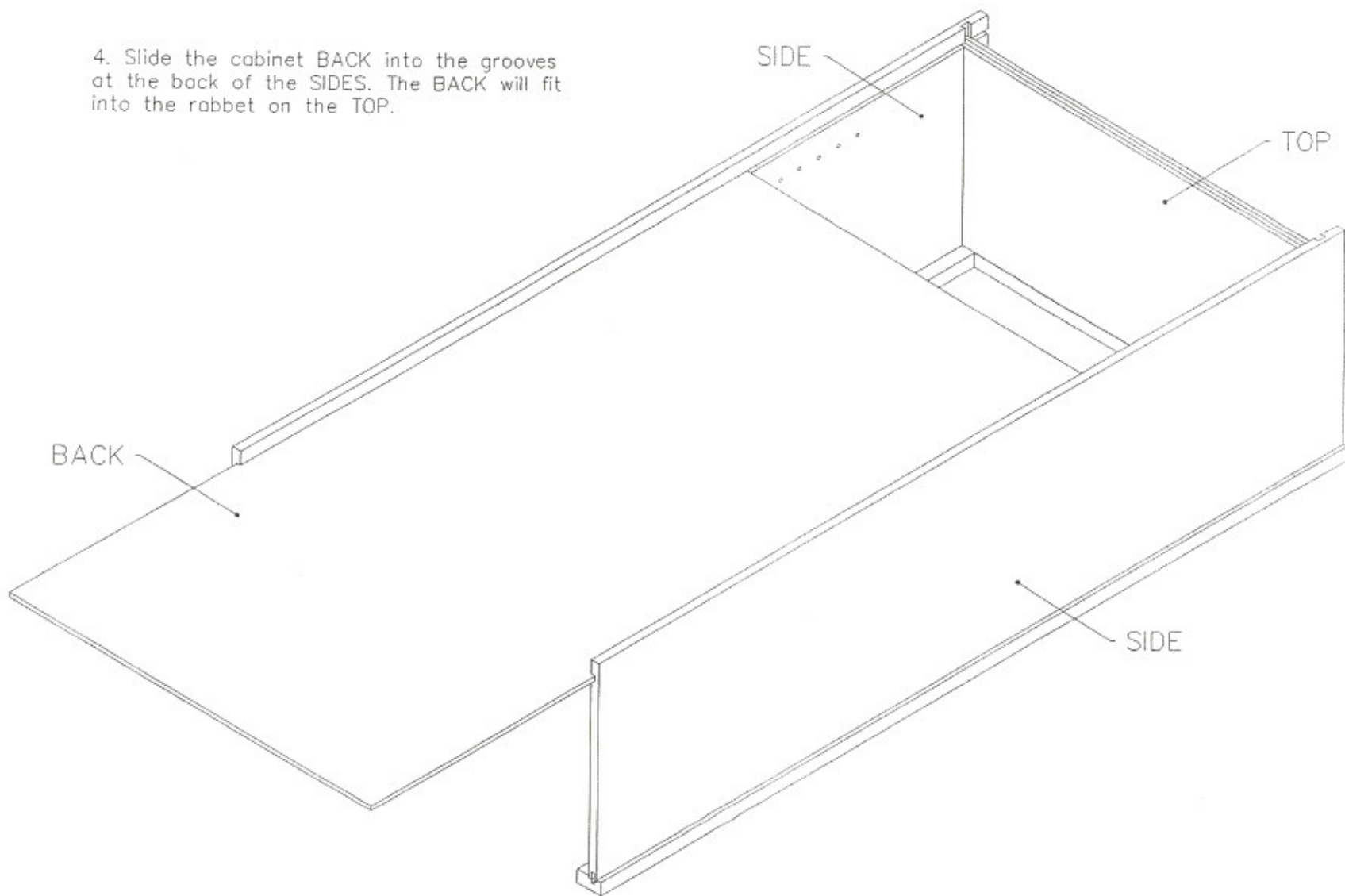
WALL OPEN BOOK SHELF CABINETS

1. Prepare the FRONT FRAME per the instructions on page #2. Place FRONT FRAME face down on work table.
2. Insert SIDES into FRONT FRAME grooves.
3. Slide the TOP into the female dovetails. Be sure to keep the rabbet up and toward the inside of the cabinet.



WALL OPEN BOOK SHELF CABINETS

4. Slide the cabinet BACK into the grooves at the back of the SIDES. The BACK will fit into the rabbet on the TOP.



WALL OPEN BOOK SHELF CABINETS

5. Attach HANGER CLEAT at top of cabinet per instructions on page #3.
6. Attach BACK JOINERS to BACK and SIDES with glue and pins for added support. Place one flush with bottom of BACK and SIDES.

