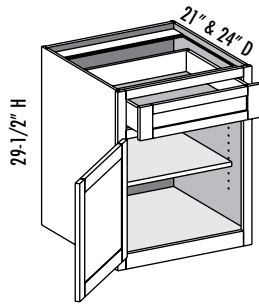




**DB - Desk Base**

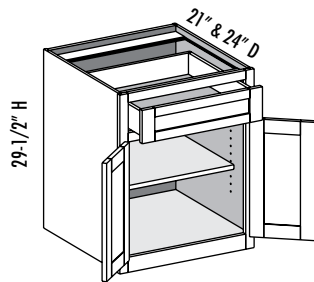


D	DF	DB	EXT	EXP	FL	MI	STR	FT	FTRA
1	1	1	✓	✓	✓	✓		STD	

- Craftsman line only
- 2-1/2" high flush toe

Cabinet Code	Craftsman	Pioneer		Flush End (ea.)	Exposed End (ea.)	Doors			Drawer Fronts		
	4-sided	4-sided	Shelf*			Inset	1/2"	1-1/4"	Inset	1/2"	1-1/4"
DB1229.5	\$130.00	—	—	\$8.00	\$5.00	1.2	1.4	1.7	0.3	0.4	0.5
DB1529.5	135.00	—	—	8.00	5.00	1.5	1.8	2.1	0.4	0.5	0.6
DB1829.5	140.00	—	—	8.00	5.00	1.9	2.2	2.6	0.5	0.7	0.8
DB2129.5	145.00	—	—	8.00	5.00	2.3	2.6	3.0	0.6	0.8	0.9
DB2429.5	150.00	—	—	8.00	5.00	2.7	3.1	3.4	0.7	0.9	1.0

**DB - Desk Base w/Butt Doors**

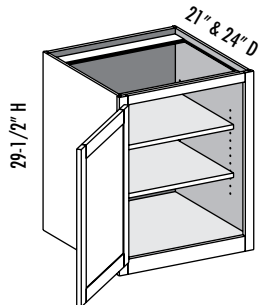


D	DF	DB	EXT	EXP	FL	MI	STR	FT	FTRA
2	1	1	✓	✓	✓	✓		STD	

- Craftsman line only
- 2-1/2" high flush toe

Cabinet Code	Craftsman	Pioneer		Flush End (ea.)	Exposed End (ea.)	Doors			Drawer Fronts		
	4-sided	4-sided	Shelf*			Inset	1/2"	1-1/4"	Inset	1/2"	1-1/4"
DB2429.5BD	\$150.00	—	—	\$8.00	\$5.00	2.7	3.0	3.4	0.7	0.9	1.0

**DBFD - Desk Base Full Door**



D	DF	DB	EXT	EXP	FL	MI	STR	FT	FTRA
1			✓	✓	✓	✓	✓	STD	

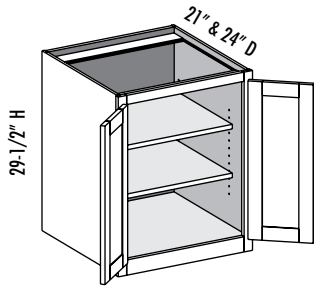
- Craftsman line only
- 2-1/2" high flush toe

Cabinet Code	Craftsman	Pioneer		Flush End (ea.)	Exposed End (ea.)	Doors			Drawer Fronts		
	4-sided	4-sided	Shelf*			Inset	1/2"	1-1/4"	Inset	1/2"	1-1/4"
DBFD1229.5	\$90.00	—	—	\$8.00	\$5.00	1.5	1.8	2.2	—	—	—
DBFD1529.5	95.00	—	—	8.00	5.00	2.1	2.4	2.8	—	—	—
DBFD1829.5	100.00	—	—	8.00	5.00	2.6	2.9	3.4	—	—	—
DBFD2129.5	105.00	—	—	8.00	5.00	3.1	3.5	4.0	—	—	—
DBFD2429.5	110.00	—	—	8.00	5.00	3.7	4.0	4.5	—	—	—

**Options Key:** D=Number of Doors DF=Number of Drawer Fronts DB=Drawer Box EXT=Extended Stiles EXP=Exposed End FL=Flush End MI=Matching Interior STR=Shaped Top Rail FT=Flush Toe FTRA=Flush Toe with Roman Arch Shape  
 \*Wood shelf upgrade



**DBFD - Desk Base Full Door w/Butt Doors**

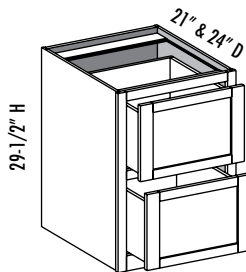


D	DF	DB	EXT	EXP	FL	MI	STR	FT	FTRA
2			✓	✓	✓	✓	✓	STD	

- Craftsman line only
- 2-1/2" high flush toe

Cabinet Code	Craftsman	Pioneer		Flush End (ea.)	Exposed End (ea.)	Doors			Drawer Fronts		
	4-sided	4-sided	Shelf*			Inset	1/2"	1-1/4"	Inset	1/2"	1-1/4"
DBFD2429.5BD	\$110.00	—	—	\$8.00	\$5.00	3.6	4.0	4.5	—	—	—

**DB2D - Desk Base Two Drawers**

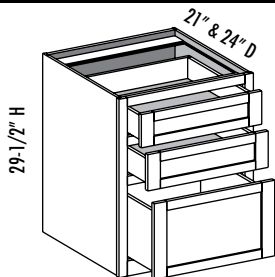


D	DF	DB	EXT	EXP	FL	MI	STR	FT	FTRA
	2	2	✓	✓	✓			STD	

- Craftsman line only
- 2-1/2" high flush toe
- Manufactured with unfinished interior sides
- Both drawers designed to accommodate Pendaflex files
- In 15" width Pendaflex files must be installed front to back

Cabinet Code	Craftsman	Pioneer		Flush End (ea.)	Exposed End (ea.)	Doors			Drawer Fronts		
	4-sided	4-sided	Shelf*			Inset	1/2"	1-1/4"	Inset	1/2"	1-1/4"
DB2D1529.5	\$195.00	—	—	\$8.00	\$5.00	—	—	—	1.9	2.3	2.8
DB2D1829.5	200.00	—	—	8.00	5.00	—	—	—	2.4	2.9	3.4
DB2D2129.5	205.00	—	—	8.00	5.00	—	—	—	2.9	3.4	4.0

**DB3D - Desk Base Three Drawers**



D	DF	DB	EXT	EXP	FL	MI	STR	FT	FTRA
	3	3	✓	✓	✓			STD	

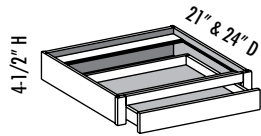
- Craftsman line only
- 2-1/2" high flush toe
- Manufactured with unfinished interior sides
- Both drawers designed to accommodate Pendaflex files
- In 15" width Pendaflex files must be installed front to back

Cabinet Code	Craftsman	Pioneer		Flush End (ea.)	Exposed End (ea.)	Doors			Drawer Fronts		
	4-sided	4-sided	Shelf*			Inset	1/2"	1-1/4"	Inset	1/2"	1-1/4"
DB3D1529.5	\$230.00	—	—	\$8.00	\$5.00	—	—	—	1.8	2.3	2.7
DB3D1829.5	235.00	—	—	8.00	5.00	—	—	—	2.3	2.8	3.3
DB3D2129.5	240.00	—	—	8.00	5.00	—	—	—	2.7	3.4	3.8
DB3D2429.5	245.00	—	—	8.00	5.00	—	—	—	3.2	3.9	4.4

**Options Key:** D=Number of Doors DF=Number of Drawer Fronts DB=Drawer Box EXT=Extended Stiles EXP=Exposed End FL=Flush End MI=Matching Interior STR=Shaped Top Rail FT=Flush Toe FTRA=Flush Toe with Roman Arch Shape  
\*Wood shelf upgrade



**DD - Desk Drawer**

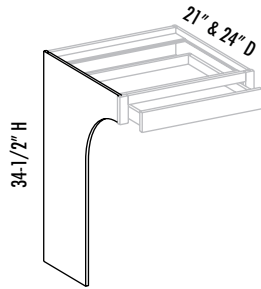


D	DF	DB	EXT	EXP	FL	MI	STR	FT	FTRA
	1	1	✓	✓	✓				

- Craftsman line only
- No bottom or bottom rail
- Manufactured with unfinished interior sides

Cabinet Code	Craftsman	Pioneer		Flush End (ea.)	Exposed End (ea.)	Doors			Drawer Fronts		
	4-sided	4-sided	Shelf*			Inset	1/2"	1-1/4"	Inset	1/2"	1-1/4"
DD184.5	\$90.00	—	—	\$2.00	\$1.00	—	—	—	0.3	0.4	0.5
DD214.5	93.00	—	—	2.00	1.00	—	—	—	0.3	0.5	0.6
DD244.5	96.00	—	—	2.00	1.00	—	—	—	0.4	0.6	0.7
DD274.5	99.00	—	—	2.00	1.00	—	—	—	0.4	0.7	0.7
DD304.5	100.00	—	—	2.00	1.00	—	—	—	0.5	0.7	0.8
DD334.5	103.00	—	—	2.00	1.00	—	—	—	0.5	0.8	0.9
DD364.5	113.00	—	—	2.00	1.00	—	—	—	0.6	0.9	1.0

**DDSL (R)- Desk Drawer Support Left (or Right)**

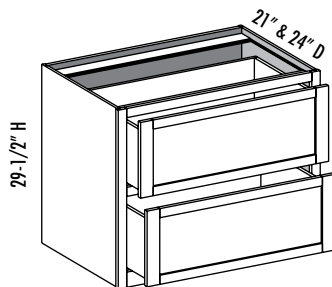


D	DF	DB	EXT	EXP	FL	MI	STR	FT	FTRA
				STD	✓	STD			

- Craftsman line only
- Left shown
- Bottom can be trimmed to custom height
- Support leg only
- Exposed edge is banded with matching specie veneer

Cabinet Code	Craftsman	Pioneer		Flush End (ea.)	Exposed End (ea.)	Doors			Drawer Fronts		
	4-sided	4-sided	Shelf*			Inset	1/2"	1-1/4"	Inset	1/2"	1-1/4"
DDSL2134.5	\$35.00	—	—	\$8.25	STD	—	—	—	—	—	—
DDSL2434.5	40.00	—	—	9.50	STD	—	—	—	—	—	—
DDSR2134.5	35.00	—	—	8.25	STD	—	—	—	—	—	—
DDSR2434.5	40.00	—	—	9.50	STD	—	—	—	—	—	—

**LF2D - Lateral File Two Drawer**



D	DF	DB	EXT	EXP	FL	MI	STR	FT	FTRA
	2	2	✓	✓	✓			STD	

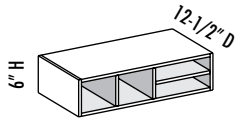
- Craftsman line only
- 2-1/2" high flush toe
- Manufactured with unfinished interior sides
- 24" deep cabinet has 21" deep interior
- Full extension interlocking drawer slides

Cabinet Code	Craftsman	Pioneer		Flush End (ea.)	Exposed End (ea.)	Doors			Drawer Fronts		
	4-sided	4-sided	Shelf*			Inset	1/2"	1-1/4"	Inset	1/2"	1-1/4"
LF2D3029.5	\$285.00	—	—	\$8.00	\$5.00	—	—	—	4.4	5.1	5.7
LF2D3629.5	295.00	—	—	8.00	5.00	—	—	—	5.4	6.1	6.8

Options Key: D=Number of Doors DF=Number of Drawer Fronts DB=Drawer Box EXT=Extended Stiles EXP=Exposed End FL=Flush End MI=Matching Interior STR=Shaped Top Rail FT=Flush Toe FTRA=Flush Toe with Roman Arch Shape  
 \*Wood shelf upgrade



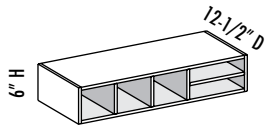
**LFS - Letter File Slot**



D	DF	DB	EXT	EXP	FL	MI	STR	FT	FTRA
				STD		STD			

- Craftsman line only
- 1/2" matching specie doweled plywood construction
- Recessed back design for custom depth modification
- Exposed edges are banded with matching specie veneer

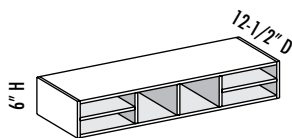
Cabinet Code	Craftsman	Pioneer		Flush End (ea.)	Exposed End (ea.)	Doors			Drawer Fronts		
	4-sided	4-sided	Shelf*			Inset	1/2"	1-1/4"	Inset	1/2"	1-1/4"
LFS246	\$90.00	—	—	—	—	—	—	—	—	—	—
LFS276	95.00	—	—	—	—	—	—	—	—	—	—



D	DF	DB	EXT	EXP	FL	MI	STR	FT	FTRA
				STD		STD			

- Craftsman line only
- 1/2" matching specie doweled plywood construction
- Recessed back design for custom depth modification
- Exposed edges are banded with matching specie veneer

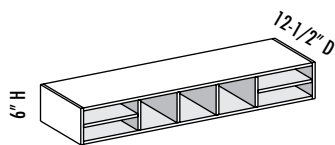
Cabinet Code	Craftsman	Pioneer		Flush End (ea.)	Exposed End (ea.)	Doors			Drawer Fronts		
	4-sided	4-sided	Shelf*			Inset	1/2"	1-1/4"	Inset	1/2"	1-1/4"
LFS306	\$100.00	—	—	—	—	—	—	—	—	—	—



D	DF	DB	EXT	EXP	FL	MI	STR	FT	FTRA
				STD		STD			

- Craftsman line only
- 1/2" matching specie doweled plywood construction
- Recessed back design for custom depth modification
- Exposed edges are banded with matching specie veneer

Cabinet Code	Craftsman	Pioneer		Flush End (ea.)	Exposed End (ea.)	Doors			Drawer Fronts		
	4-sided	4-sided	Shelf*			Inset	1/2"	1-1/4"	Inset	1/2"	1-1/4"
LFS336	\$110.00	—	—	—	—	—	—	—	—	—	—
LFS366	115.00	—	—	—	—	—	—	—	—	—	—



D	DF	DB	EXT	EXP	FL	MI	STR	FT	FTRA
				STD		STD			

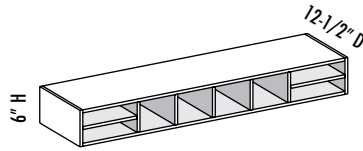
- Craftsman line only
- 1/2" matching specie doweled plywood construction
- Recessed back design for custom depth modification
- Exposed edges are banded with matching specie veneer

Cabinet Code	Craftsman	Pioneer		Flush End (ea.)	Exposed End (ea.)	Doors			Drawer Fronts		
	4-sided	4-sided	Shelf*			Inset	1/2"	1-1/4"	Inset	1/2"	1-1/4"
LFS396	\$120.00	—	—	—	—	—	—	—	—	—	—
LFS426	125.00	—	—	—	—	—	—	—	—	—	—

**Options Key:** D=Number of Doors DF=Number of Drawer Fronts DB=Drawer Box EXT=Extended Stiles EXP=Exposed End FL=Flush End MI=Matching Interior STR=Shaped Top Rail FT=Flush Toe FTRA=Flush Toe with Roman Arch Shape  
 \*Wood shelf upgrade



**LFS - Letter File Slot**

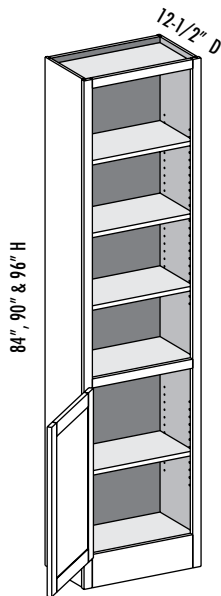


D	DF	DB	EXT	EXP	FL	MI	STR	FT	FTRA
				STD		STD			

- Craftsman line only
- 1/2" matching specie doweled plywood construction
- Recessed back design for custom depth modification
- Exposed edges are banded with matching specie veneer

Cabinet Code	Craftsman	Pioneer		Flush End (ea.)	Exposed End (ea.)	Doors			Drawer Fronts		
	4-sided	4-sided	Shelf*			Inset	1/2"	1-1/4"	Inset	1/2"	1-1/4"
LFS456	\$135.00	—	—	—	—	—	—	—	—	—	—
LFS486	140.00	—	—	—	—	—	—	—	—	—	—

**ORC - Other Room Cabinet**



D	DF	DB	EXT	EXP	FL	MI	STR	FT	FTRA
1			✓	STD	✓	STD	✓	STD	✓

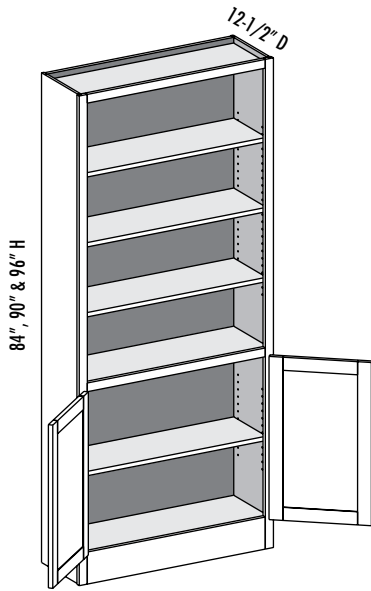
- Craftsman line only
- 5-1/2" high flush toe
- Doors on top section are optional and must be specified
- Lower section aligns with 34-1/2" high base cabinets

Cabinet Code	Craftsman	Pioneer		Flush End (ea.)	Exposed End (ea.)	Doors			Drawer Fronts		
	4-sided	4-sided	Shelf*			Inset	1/2"	1-1/4"	Inset	1/2"	1-1/4"
ORC1584	\$225.00	—	—	\$11.75	STD	2.2	2.6	2.9	—	—	—
ORC1884	235.00	—	—	11.75	STD	2.8	3.2	3.6	—	—	—
ORC2184	245.00	—	—	11.75	STD	3.4	3.8	4.2	—	—	—
ORC1590	235.00	—	—	12.50	STD	2.2	2.6	2.9	—	—	—
ORC1890	245.00	—	—	12.50	STD	2.8	3.2	3.6	—	—	—
ORC2190	255.00	—	—	12.50	STD	3.4	3.8	4.2	—	—	—
ORC1596	245.00	—	—	13.25	STD	2.2	2.6	2.9	—	—	—
ORC1896	255.00	—	—	13.25	STD	2.8	3.2	3.6	—	—	—
ORC2196	265.00	—	—	13.25	STD	3.4	3.8	4.2	—	—	—

**Options Key:** D=Number of Doors DF=Number of Drawer Fronts DB=Drawer Box EXT=Extended Stiles EXP=Exposed End FL=Flush End MI=Matching Interior STR=Shaped Top Rail FT=Flush Toe FTRA=Flush Toe with Roman Arch Shape  
 \*Wood shelf upgrade



**ORC - Other Room Cabinet w/Butt Doors**



D	DF	DB	EXT	EXP	FL	MI	STR	FT	FTRA
2			✓	STD	✓	STD	✓	STD	✓

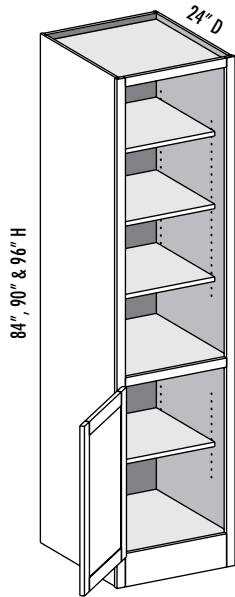
- Craftsman line only
- 5-1/2" high flush toe
- Doors on top section are optional and must be specified
- Lower section aligns with 34-1/2" high base cabinets

Cabinet Code	Craftsman	Pioneer		Flush End (ea.)	Exposed End (ea.)	Doors			Drawer Fronts		
	4-sided	4-sided	Shelf*			Inset	1/2"	1-1/4"	Inset	1/2"	1-1/4"
ORC2484	\$255.00	—	—	\$11.75	STD	3.9	4.3	4.7	—	—	—
ORC2784	265.00	—	—	11.75	STD	4.5	4.9	5.4	—	—	—
ORC3084	275.00	—	—	11.75	STD	5.0	5.5	6.0	—	—	—
ORC3384	285.00	—	—	11.75	STD	5.6	6.1	6.6	—	—	—
ORC3684	300.00	—	—	11.75	STD	6.2	6.7	7.2	—	—	—
ORC2490	265.00	—	—	12.50	STD	3.9	4.3	4.7	—	—	—
ORC2790	275.00	—	—	12.50	STD	4.5	4.9	5.4	—	—	—
ORC3090	285.00	—	—	12.50	STD	5.0	5.5	6.0	—	—	—
ORC3390	295.00	—	—	12.50	STD	5.6	6.1	6.6	—	—	—
ORC3690	310.00	—	—	12.50	STD	6.2	6.7	7.2	—	—	—
ORC2496	275.00	—	—	13.25	STD	3.9	4.3	4.7	—	—	—
ORC2796	285.00	—	—	13.25	STD	4.5	4.9	5.4	—	—	—
ORC3096	295.00	—	—	13.25	STD	5.0	5.5	6.0	—	—	—
ORC3396	305.00	—	—	13.25	STD	5.6	6.1	6.6	—	—	—
ORC3696	320.00	—	—	13.25	STD	6.2	6.7	7.2	—	—	—

**Options Key:** D=Number of Doors DF=Number of Drawer Fronts DB=Drawer Box EXT=Extended Stiles EXP=Exposed End FL=Flush End MI=Matching Interior STR=Shaped Top Rail FT=Flush Toe FTRA=Flush Toe with Roman Arch Shape  
 \*Wood shelf upgrade



## ORCD - Other Room Cabinet Deep



D	DF	DB	EXT	EXP	FL	MI	STR	FT	FTRA
1			✓	STD	✓	STD	✓	STD	✓

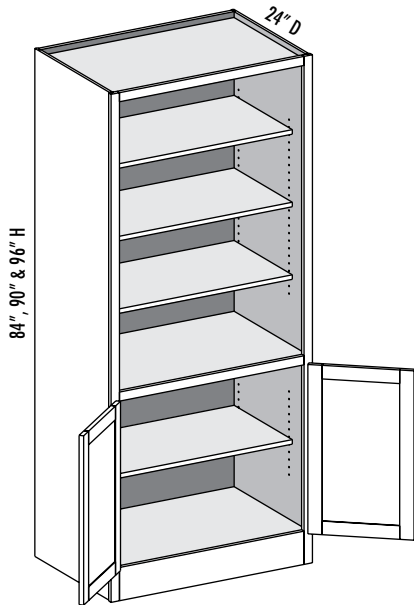
- Craftsman line only
- 5-1/2" high flush toe
- Doors on top section are optional and must be specified
- Lower section aligns with 34-1/2" high base cabinets

Cabinet Code	Craftsman	Pioneer		Flush End (ea.)	Exposed End (ea.)	Doors			Drawer Fronts		
	4-sided	4-sided	Shelf*			Inset	1/2"	1-1/4"	Inset	1/2"	1-1/4"
ORCD1584	\$320.00	—	—	\$22.75	STD	2.2	2.6	2.9	—	—	—
ORCD1884	330.00	—	—	22.75	STD	2.8	3.2	3.6	—	—	—
ORCD2184	340.00	—	—	22.75	STD	3.4	3.8	4.2	—	—	—
ORCD1590	330.00	—	—	24.50	STD	2.2	2.6	2.9	—	—	—
ORCD1890	340.00	—	—	24.50	STD	2.8	3.2	3.6	—	—	—
ORCD2190	350.00	—	—	24.50	STD	3.4	3.8	4.2	—	—	—
ORCD1596	340.00	—	—	26.00	STD	2.2	2.6	2.9	—	—	—
ORCD1896	350.00	—	—	26.00	STD	2.8	3.2	3.6	—	—	—
ORCD2196	360.00	—	—	26.00	STD	3.4	3.8	4.2	—	—	—

**Options Key:** D=Number of Doors DF=Number of Drawer Fronts DB=Drawer Box EXT=Extended Stiles EXP=Exposed End FL=Flush End  
 MI=Matching Interior STR=Shaped Top Rail FT=Flush Toe FTRA=Flush Toe with Roman Arch Shape  
 \*Wood shelf upgrade



**ORCD - Other Room Cabinet Deep w/Butt Doors**



D	DF	DB	EXT	EXP	FL	MI	STR	FT	FTRA
2			✓	STD	✓	STD	✓	STD	✓

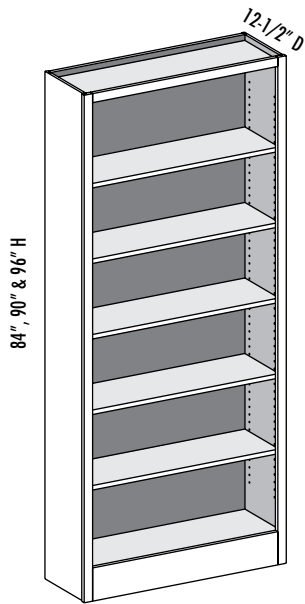
- Craftsman line only
- 5-1/2" high flush toe
- Doors on top section are optional and must be specified
- Lower section aligns with 34-1/2" high base cabinets

Cabinet Code	Craftsman	Pioneer		Flush End (ea.)	Exposed End (ea.)	Doors			Drawer Fronts		
	4-sided	4-sided	Shelf*			Inset	1/2"	1-1/4"	Inset	1/2"	1-1/4"
ORCD2484	\$350.00	—	—	\$22.75	STD	3.9	4.3	4.7	—	—	—
ORCD2784	360.00	—	—	22.75	STD	4.5	4.9	5.4	—	—	—
ORCD3084	370.00	—	—	22.75	STD	5.0	5.5	6.0	—	—	—
ORCD3384	380.00	—	—	22.75	STD	5.6	6.1	6.6	—	—	—
ORCD3684	395.00	—	—	22.75	STD	6.2	6.7	7.2	—	—	—
ORCD2490	360.00	—	—	24.50	STD	3.9	4.3	4.7	—	—	—
ORCD2790	370.00	—	—	24.50	STD	4.5	4.9	5.4	—	—	—
ORCD3090	380.00	—	—	24.50	STD	5.0	5.5	6.0	—	—	—
ORCD3390	390.00	—	—	24.50	STD	5.6	6.1	6.6	—	—	—
ORCD3690	405.00	—	—	24.50	STD	6.2	6.7	7.2	—	—	—
ORCD2496	370.00	—	—	26.00	STD	3.9	4.3	4.7	—	—	—
ORCD2796	380.00	—	—	26.00	STD	4.5	4.9	5.4	—	—	—
ORCD3096	390.00	—	—	26.00	STD	5.0	5.5	6.0	—	—	—
ORCD3396	400.00	—	—	26.00	STD	5.6	6.1	6.6	—	—	—
ORCD3696	415.00	—	—	26.00	STD	6.2	6.7	7.2	—	—	—

**Options Key:** D=Number of Doors DF=Number of Drawer Fronts DB=Drawer Box EXT=Extended Stiles EXP=Exposed End FL=Flush End MI=Matching Interior STR=Shaped Top Rail FT=Flush Toe FTRA=Flush Toe with Roman Arch Shape  
\*Wood shelf upgrade



## ORS - Other Room Shelf



D	DF	DB	EXT	EXP	FL	MI	STR	FT	FTRA
			✓	STD	✓	STD	✓	STD	✓

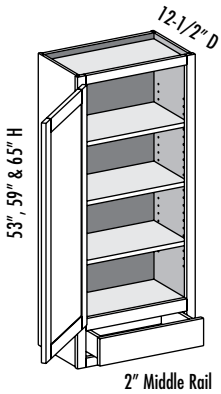
- Craftsman line only
- 5-1/2" high flush toe

Cabinet Code	Craftsman	Pioneer		Flush End (ea.)	Exposed End (ea.)	Doors			Drawer Fronts		
	4-sided	4-sided	Shelf*			Inset	1/2"	1-1/4"	Inset	1/2"	1-1/4"
ORS1584	\$220.00	—	—	\$11.75	STD	—	—	—	—	—	—
ORS1884	230.00	—	—	11.75	STD	—	—	—	—	—	—
ORS2184	240.00	—	—	11.75	STD	—	—	—	—	—	—
ORS2484	250.00	—	—	11.75	STD	—	—	—	—	—	—
ORS2784	260.00	—	—	11.75	STD	—	—	—	—	—	—
ORS3084	270.00	—	—	11.75	STD	—	—	—	—	—	—
ORS3384	280.00	—	—	11.75	STD	—	—	—	—	—	—
ORS3684	295.00	—	—	11.75	STD	—	—	—	—	—	—
ORS1590	230.00	—	—	12.50	STD	—	—	—	—	—	—
ORS1890	240.00	—	—	12.50	STD	—	—	—	—	—	—
ORS2190	250.00	—	—	12.50	STD	—	—	—	—	—	—
ORS2490	260.00	—	—	12.50	STD	—	—	—	—	—	—
ORS2790	270.00	—	—	12.50	STD	—	—	—	—	—	—
ORS3090	280.00	—	—	12.50	STD	—	—	—	—	—	—
ORS3390	290.00	—	—	12.50	STD	—	—	—	—	—	—
ORS3690	305.00	—	—	12.50	STD	—	—	—	—	—	—
ORS1596	240.00	—	—	13.25	STD	—	—	—	—	—	—
ORS1896	250.00	—	—	13.25	STD	—	—	—	—	—	—
ORS2196	260.00	—	—	13.25	STD	—	—	—	—	—	—
ORS2496	270.00	—	—	13.25	STD	—	—	—	—	—	—
ORS2796	280.00	—	—	13.25	STD	—	—	—	—	—	—
ORS3096	290.00	—	—	13.25	STD	—	—	—	—	—	—
ORS3396	300.00	—	—	13.25	STD	—	—	—	—	—	—
ORS3696	315.00	—	—	13.25	STD	—	—	—	—	—	—

**Options Key:** D=Number of Doors DF=Number of Drawer Fronts DB=Drawer Box EXT=Extended Stiles EXP=Exposed End FL=Flush End MI=Matching Interior STR=Shaped Top Rail FT=Flush Toe FTRA=Flush Toe with Roman Arch Shape  
\*Wood shelf upgrade



**W1D - Wall 1 Drawer**

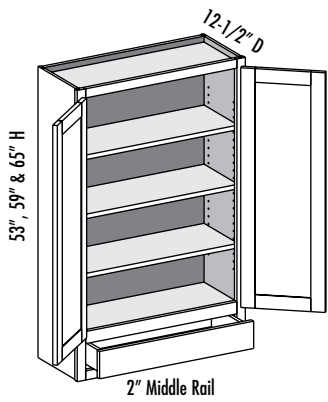


D	DF	DB	EXT	EXP	FL	MI	STR	FT	FTRA
1	1	1	✓	STD	✓	✓	✓		

- 65" high unit has four shelves
- Side mount slides only

Cabinet Code	Craftsman	Pioneer		Flush End (ea.)	Exposed End (ea.)	Doors			Drawer Fronts		
	4-sided	4-sided	Shelf*			Inset	1/2"	1-1/4"	Inset	1/2"	1-1/4"
W1D1553	\$174.00	\$154.00	\$6.00	\$7.50	STD	3.6	4.1	4.7	0.3	0.5	0.5
W1D1853	183.00	158.00	12.00	7.50	STD	4.5	5.0	5.7	0.4	0.6	0.6
W1D2153	195.00	165.00	12.00	7.50	STD	5.4	5.9	6.6	0.5	0.7	0.7
W1D2453	205.00	169.00	12.00	7.50	STD	6.3	6.9	7.6	0.6	0.8	0.9
W1D1559	183.00	158.00	6.00	8.25	STD	4.1	4.6	5.3	0.3	0.5	0.5
W1D1859	192.00	162.00	12.00	8.25	STD	5.1	5.7	6.4	0.4	0.6	0.6
W1D2159	204.00	169.00	12.00	8.25	STD	6.2	6.7	7.5	0.5	0.7	0.7
W1D2459	214.00	173.00	12.00	8.25	STD	7.2	7.8	8.6	0.6	0.8	0.9
W1D1565	192.00	162.00	8.00	9.00	STD	4.6	5.1	5.9	0.3	0.5	0.5
W1D1865	201.00	169.00	16.00	9.00	STD	5.7	6.3	7.1	0.4	0.6	0.6
W1D2165	213.00	173.00	16.00	9.00	STD	6.9	7.5	8.3	0.5	0.7	0.7
W1D2465	223.00	177.00	16.00	9.00	STD	8.1	8.7	9.5	0.6	0.8	0.9

**W1D - Wall 1 Drawer w/Butt Doors**



D	DF	DB	EXT	EXP	FL	MI	STR	FT	FTRA
2	1	1	✓	STD	✓	✓	✓		

- 65" high unit has four shelves
- Side mount slides only

Cabinet Code	Craftsman	Pioneer		Flush End (ea.)	Exposed End (ea.)	Doors			Drawer Fronts		
	4-sided	4-sided	Shelf*			Inset	1/2"	1-1/4"	Inset	1/2"	1-1/4"
W1D2453BD	\$205.00	\$169.00	\$12.00	\$7.50	STD	6.3	6.8	7.5	0.6	0.8	0.9
W1D2753BD	216.00	176.00	15.00	7.50	STD	7.2	7.8	8.5	0.6	0.9	1.0
W1D3053BD	224.00	181.00	18.00	7.50	STD	8.1	8.7	9.5	0.7	1.0	1.1
W1D3353BD	235.00	187.00	18.00	7.50	STD	9.0	9.6	10.5	0.8	1.1	1.2
W1D3653BD	245.00	191.00	21.00	7.50	STD	9.9	10.6	11.4	0.9	1.2	1.3
W1D2459BD	214.00	173.00	12.00	8.25	STD	7.1	7.7	8.5	0.6	0.8	0.9
W1D2759BD	225.00	180.00	15.00	8.25	STD	8.2	8.8	9.6	0.6	0.9	1.0

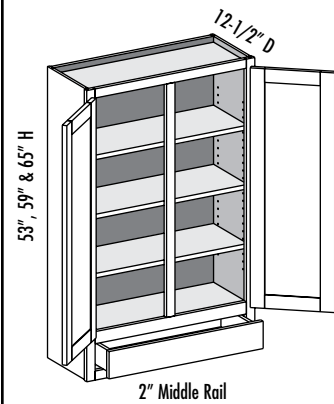
**Options Key:** D=Number of Doors DF=Number of Drawer Fronts DB=Drawer Box EXT=Extended Stiles EXP=Exposed End FL=Flush End MI=Matching Interior STR=Shaped Top Rail FT=Flush Toe FTRA=Flush Toe with Roman Arch Shape  
 \*Wood shelf upgrade



### W1D - Wall 1 Drawer w/Butt Doors - continued

Cabinet Code	Craftsman	Pioneer		Flush End (ea.)	Exposed End (ea.)	Doors			Drawer Fronts		
	4-sided	4-sided	Shelf*			Inset	1/2"	1-1/4"	Inset	1/2"	1-1/4"
W1D3059BD	233.00	185.00	18.00	8.25	STD	9.2	9.9	10.7	0.7	1.0	1.1
W1D3359BD	244.00	191.00	18.00	8.25	STD	10.2	10.9	11.8	0.8	1.1	1.2
W1D3659BD	254.00	195.00	21.00	8.25	STD	11.3	12.0	12.9	0.9	1.2	1.3
W1D2465BD	223.00	177.00	16.00	9.00	STD	8.0	8.7	9.5	0.6	0.8	0.9
W1D2765BD	234.00	184.00	20.00	9.00	STD	9.2	9.8	10.7	0.6	0.9	1.0
W1D3065BD	242.00	189.00	24.00	9.00	STD	10.3	11.0	11.9	0.7	1.0	1.1
W1D3365BD	253.00	195.00	24.00	9.00	STD	11.5	12.2	13.2	0.8	1.1	1.2
W1D3665BD	263.00	199.00	28.00	9.00	STD	12.6	13.4	14.4	0.9	1.2	1.3

### W1D - Wall 1 Drawer



D	DF	DB	EXT	EXP	FL	MI	STR	FT	FTRA
2	1	1	✓	STD	✓	✓			

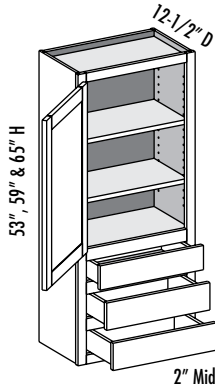
- 65" high unit has four shelves
- Side mount slides only

Cabinet Code	Craftsman	Pioneer		Flush End (ea.)	Exposed End (ea.)	Doors			Drawer Fronts		
	4-sided	4-sided	Shelf*			Inset	1/2"	1-1/4"	Inset	1/2"	1-1/4"
W1D2753	\$222.00	\$183.00	\$15.00	\$7.50	STD	6.7	7.7	8.4	0.6	0.9	1.0
W1D3053	231.00	188.00	18.00	7.50	STD	7.6	8.6	9.4	0.7	1.0	1.1
W1D3353	242.00	194.00	18.00	7.50	STD	8.6	9.5	10.3	0.8	1.1	1.2
W1D3653	251.00	198.00	21.00	7.50	STD	9.5	10.5	11.3	0.9	1.2	1.3
W1D2759	231.00	187.00	15.00	8.25	STD	7.7	8.7	9.5	0.6	0.9	1.0
W1D3059	240.00	192.00	18.00	8.25	STD	8.7	9.7	10.6	0.7	1.0	1.1
W1D3359	251.00	198.00	18.00	8.25	STD	9.7	10.8	11.7	0.8	1.1	1.2
W1D3659	260.00	202.00	21.00	8.25	STD	10.8	11.9	12.8	0.9	1.2	1.3
W1D2765	240.00	191.00	20.00	9.00	STD	8.6	9.7	10.6	0.6	0.9	1.0
W1D3065	249.00	196.00	24.00	9.00	STD	9.7	10.9	11.8	0.7	1.0	1.1
W1D3365	260.00	202.00	24.00	9.00	STD	10.9	12.1	13.0	0.8	1.1	1.2
W1D3665	269.00	206.00	28.00	9.00	STD	12.1	13.3	14.2	0.9	1.2	1.3

**Options Key:** D=Number of Doors DF=Number of Drawer Fronts DB=Drawer Box EXT=Extended Stiles EXP=Exposed End FL=Flush End MI=Matching Interior STR=Shaped Top Rail FT=Flush Toe FTRA=Flush Toe with Roman Arch Shape  
 \*Wood shelf upgrade



**W3D - Wall 3 Drawer**

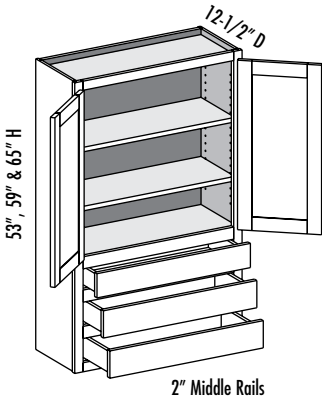


D	DF	DB	EXT	EXP	FL	MI	STR	FT	FTRA
1	3	3	✓	STD	✓	✓	✓		

- 65" high unit has three shelves
- Side mount slides only

Cabinet Code	Craftsman	Pioneer		Flush End (ea.)	Exposed End (ea.)	Doors			Drawer Fronts		
	4-sided	4-sided	Shelf*			Inset	1/2"	1-1/4"	Inset	1/2"	1-1/4"
W3D1553	\$241.00	\$214.00	\$4.00	\$7.50	STD	2.6	3.0	3.5	0.9	1.4	1.6
W3D1853	250.00	220.00	8.00	7.50	STD	3.3	3.7	4.2	1.2	1.7	2.0
W3D2153	266.00	233.00	8.00	7.50	STD	3.9	4.4	4.9	1.4	2.0	2.3
W3D2453	276.00	239.00	8.00	7.50	STD	4.6	5.0	5.6	1.7	2.3	2.7
W3D1559	250.00	218.00	4.00	8.25	STD	3.1	3.5	4.1	0.9	1.4	1.6
W3D1859	259.00	224.00	8.00	8.25	STD	3.9	4.3	4.9	1.2	1.7	2.0
W3D2159	275.00	237.00	8.00	8.25	STD	4.7	5.1	5.8	1.4	2.0	2.3
W3D2459	285.00	243.00	8.00	8.25	STD	5.5	6.0	6.6	1.7	2.3	2.7
W3D1565	259.00	222.00	6.00	9.00	STD	3.6	4.1	4.7	0.9	1.4	1.6
W3D1865	268.00	228.00	12.00	9.00	STD	4.5	5.0	5.7	1.2	1.7	2.0
W3D2165	284.00	241.00	12.00	9.00	STD	5.4	5.9	6.6	1.4	2.0	2.3
W3D2465	294.00	247.00	12.00	9.00	STD	6.3	6.9	7.6	1.7	2.3	2.7

**W3D - Wall 3 Drawer w/Butt Doors**



D	DF	DB	EXT	EXP	FL	MI	STR	FT	FTRA
2	3	3	✓	STD	✓	✓	✓		

- 65" high unit has three shelves
- Side mount slides only

Cabinet Code	Craftsman	Pioneer		Flush End (ea.)	Exposed End (ea.)	Doors			Drawer Fronts		
	4-sided	4-sided	Shelf*			Inset	1/2"	1-1/4"	Inset	1/2"	1-1/4"
W3D2453BD	\$276.00	\$239.00	\$8.00	\$7.50	STD	4.6	5.0	5.6	1.7	2.3	2.7
W3D2753BD	287.00	245.00	10.00	7.50	STD	5.2	5.7	6.3	1.9	2.6	3.0
W3D3053BD	295.00	249.00	12.00	7.50	STD	5.9	6.4	7.0	2.1	2.9	3.3
W3D3353BD	310.00	261.00	12.00	7.50	STD	6.5	7.1	7.8	2.4	3.2	3.7
W3D3653BD	320.00	268.00	14.00	7.50	STD	7.2	7.8	8.5	2.6	3.5	4.0
W3D2459BD	285.00	243.00	8.00	8.25	STD	5.4	5.9	6.6	1.7	2.3	2.7
W3D2759BD	296.00	251.00	10.00	8.25	STD	6.2	6.7	7.4	1.9	2.6	3.0

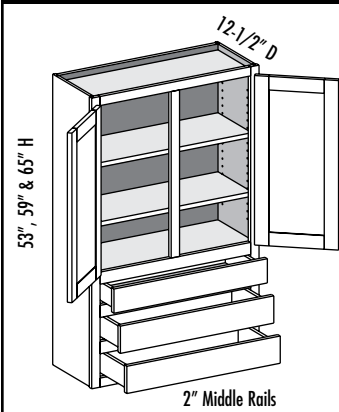
**Options Key:** D=Number of Doors DF=Number of Drawer Fronts DB=Drawer Box EXT=Extended Stiles EXP=Exposed End FL=Flush End MI=Matching Interior STR=Shaped Top Rail FT=Flush Toe FTRA=Flush Toe with Roman Arch Shape  
 \*Wood shelf upgrade



### W3D - Wall 3 Drawer w/Butt Doors - continued

Cabinet Code	Craftsman	Pioneer		Flush End (ea.)	Exposed End (ea.)	Doors			Drawer Fronts		
	4-sided	4-sided	Shelf*			Inset	1/2"	1-1/4"	Inset	1/2"	1-1/4"
W3D3059BD	304.00	255.00	12.00	8.25	STD	7.0	7.5	8.3	2.1	2.9	3.3
W3D3359BD	319.00	267.00	12.00	8.25	STD	7.8	8.4	9.1	2.4	3.2	3.7
W3D3659BD	329.00	274.00	14.00	8.25	STD	8.6	9.2	9.9	2.6	3.5	4.0
W3D2465BD	294.00	247.00	12.00	9.00	STD	6.3	6.8	7.5	1.7	2.3	2.7
W3D2765BD	305.00	257.00	15.00	9.00	STD	7.2	7.8	8.5	1.9	2.6	3.0
W3D3065BD	313.00	261.00	18.00	9.00	STD	8.1	8.7	9.5	2.1	2.9	3.3
W3D3365BD	328.00	273.00	18.00	9.00	STD	9.0	9.6	10.5	2.4	3.2	3.7
W3D3665BD	338.00	280.00	21.00	9.00	STD	9.9	10.6	11.4	2.6	3.5	4.0

### W3D - Wall 3 Drawer



D	DF	DB	EXT	EXP	FL	MI	STR	FT	FTRA
2	3	3	✓	STD	✓	✓			

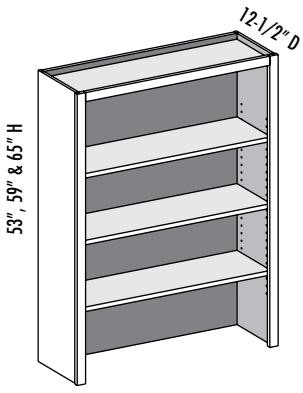
- 65" high unit has three shelves
- Side mount slides only

Cabinet Code	Craftsman	Pioneer		Flush End (ea.)	Exposed End (ea.)	Doors			Drawer Fronts		
	4-sided	4-sided	Shelf*			Inset	1/2"	1-1/4"	Inset	1/2"	1-1/4"
W3D2753	\$294.00	\$252.00	\$10.00	\$7.50	STD	4.9	5.6	6.2	1.9	2.6	3.0
W3D3053	302.00	256.00	12.00	7.50	STD	5.6	6.3	6.9	2.1	2.9	3.3
W3D3353	317.00	268.00	12.00	7.50	STD	6.2	7.0	7.7	2.4	3.2	3.7
W3D3653	327.00	275.00	14.00	7.50	STD	6.9	7.7	8.4	2.6	3.5	4.0
W3D2759	303.00	258.00	10.00	8.25	STD	5.8	6.6	3.7	1.9	2.6	3.0
W3D3059	311.00	262.00	12.00	8.25	STD	6.6	7.4	4.1	2.1	2.9	3.3
W3D3359	325.00	274.00	12.00	8.25	STD	7.4	8.3	4.5	2.4	3.2	3.7
W3D3659	336.00	282.00	14.00	8.25	STD	8.2	9.1	4.9	2.6	3.5	4.0
W3D2765	312.00	264.00	15.00	9.00	STD	6.7	7.7	8.4	1.9	2.6	3.0
W3D3065	320.00	268.00	18.00	9.00	STD	7.6	8.6	9.4	2.1	2.9	3.3
W3D3365	334.00	280.00	18.00	9.00	STD	8.6	9.5	10.3	2.4	3.2	3.7
W3D3665	345.00	288.00	21.00	9.00	STD	9.5	10.5	11.3	2.6	3.5	4.0

Options Key: D=Number of Doors DF=Number of Drawer Fronts DB=Drawer Box EXT=Extended Stiles EXP=Exposed End FL=Flush End MI=Matching Interior STR=Shaped Top Rail FT=Flush Toe FTRA=Flush Toe with Roman Arch Shape  
 \*Wood shelf upgrade



**WOBS - Wall Open Bookshelf**



D	DF	DB	EXT	EXP	FL	MI	STR	FT	FTRA
			✓	STD	✓	STD	✓		

- Craftsman line only
- 65" high unit has four shelves

Cabinet Code	Craftsman	Pioneer		Flush End (ea.)	Exposed End (ea.)	Doors			Drawer Fronts		
	4-sided	4-sided	Shelf*			Inset	1/2"	1-1/4"	Inset	1/2"	1-1/4"
WOBS1553	\$131.00	—	—	\$7.50	STD	—	—	—	—	—	—
WOBS1853	136.00	—	—	7.50	STD	—	—	—	—	—	—
WOBS2153	141.00	—	—	7.50	STD	—	—	—	—	—	—
WOBS2453	146.00	—	—	7.50	STD	—	—	—	—	—	—
WOBS2753	151.00	—	—	7.50	STD	—	—	—	—	—	—
WOBS3053	156.00	—	—	7.50	STD	—	—	—	—	—	—
WOBS3353	161.00	—	—	7.50	STD	—	—	—	—	—	—
WOBS3653	166.00	—	—	7.50	STD	—	—	—	—	—	—
WOBS1559	146.00	—	—	8.25	STD	—	—	—	—	—	—
WOBS1859	151.00	—	—	8.25	STD	—	—	—	—	—	—
WOBS2159	156.00	—	—	8.25	STD	—	—	—	—	—	—
WOBS2459	161.00	—	—	8.25	STD	—	—	—	—	—	—
WOBS2759	166.00	—	—	8.25	STD	—	—	—	—	—	—
WOBS3059	171.00	—	—	8.25	STD	—	—	—	—	—	—
WOBS3359	176.00	—	—	8.25	STD	—	—	—	—	—	—
WOBS3659	181.00	—	—	8.25	STD	—	—	—	—	—	—
WOBS1565	155.00	—	—	9.00	STD	—	—	—	—	—	—
WOBS1865	160.00	—	—	9.00	STD	—	—	—	—	—	—
WOBS2165	165.00	—	—	9.00	STD	—	—	—	—	—	—
WOBS2465	170.00	—	—	9.00	STD	—	—	—	—	—	—
WOBS2765	175.00	—	—	9.00	STD	—	—	—	—	—	—
WOBS3065	180.00	—	—	9.00	STD	—	—	—	—	—	—
WOBS3365	185.00	—	—	9.00	STD	—	—	—	—	—	—
WOBS3665	190.00	—	—	9.00	STD	—	—	—	—	—	—

**Options Key:** D=Number of Doors DF=Number of Drawer Fronts DB=Drawer Box EXT=Extended Stiles EXP=Exposed End FL=Flush End MI=Matching Interior STR=Shaped Top Rail FT=Flush Toe FTRA=Flush Toe with Roman Arch Shape  
 \*Wood shelf upgrade