



Specifications

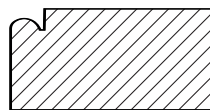
- Double dowel construction on standard width framing.
- Standard framing width is 1-1/2".
- 3/4" framing thickness standard, 1" thick material is available with an upcharge.
- Material will be standard grade unless premium is noted. Premium grade availability and pricing apply.
- Minimum framing width 3/4"; 15/16" for front frames with an edge profile, except O-lip and L-687 lip, which require minimum 1-1/2" wide framing.
- Material surfaced four sides.
- Frames sanded on front only with 180 grit paper.
- Maximum front frame sizes are 96" in one direction and 48" in the other direction. For example, a front frame can be ordered 36" W x 96" H or 96" W x 36" H but not 96" W x 96" H.
- Framing wider than 4-1/2" may have one glue joint. Framing wider than 6-1/2" may have two glue joints.
- Minimum glue-in trimmable insert width is 1/2"; maximum glue-in trimmable insert width is 3".

Tolerances

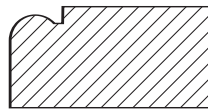
- A tolerance of +/- 1/32" is considered acceptable on front frame exterior and interior opening dimensions.
- A tolerance of +/- 1/32" out of square is considered acceptable on front frames under 12 square feet.
- A tolerance of +/- 1/16" out of square is considered acceptable on front frames 12 square feet and over.
- 1/32" offset on frame back at any joint is considered acceptable.
- 1/64" offset at any exterior joint on the outside perimeter is considered acceptable.

Ordering Information

Conestoga's custom front frames can be ordered as 1/4" beaded, 3/8" beaded or non-beaded. To specify, check the appropriate box in the beaded area of the order form.



1/4" Bead



3/8" Bead

When ordering custom front frames for Conestoga Cabinet Systems, all framing and opening sizes must be specified by the customer. Only standard groove locations available.

Front frame exterior dimensions, interior opening dimensions and framing widths can be ordered to the nearest 1/16".

On beaded orders, customers may select specific openings to be "non-beaded" by specifying the opening letter designation. Example: "Do not bead opening S."

Pricing

See Front Frame page of the Specialty Products section in the Custom Product Manual for material pricing and specie availability.

Cost per Opening

First opening	\$10.00
Additional openings, each	\$4.00

Options Pricing

Option	Additional cost
Premium grade material (<i>subject to availability</i>)	35% of material price
1" thick framing	30% of material price
Face and back sand	\$.75 per frame
Beaded inset framing (1/4" or 3/8" bead)	\$4.00 per opening
Pre-fit inset doors, drawer fronts	\$4.00 per door or drawer front
Groove to fit Conestoga Cabinet Systems	\$2.00 per frame
Edge profile around outside perimeter	\$5.00 per frame
Glue-in trimmable inserts	\$26.00 per opening
Roman or Scalloped shaped rails - non-beaded	\$15.00 per rail
Beaded shaped rails available through special designs	Call for quote
Code Red Expedite (6 frames max)	50% of total price
Code Blue Expedite (6 frames max)	25% of total price

Non-standard Framing Width Pricing

Material Width	Upcharge per stile or rail
3/4" to 1"	\$7.50
1-1/16" to 3"	no upcharge
3-1/16" to 5-15/16"	\$6.00
6" to 7-7/16"	\$12.00
7-1/2" and wider	\$40.00

Conestoga reserves the right to quote any odd configurations, odd framing widths or large volume orders on a per-job basis.

Lead-times, Front Frames, number of work days

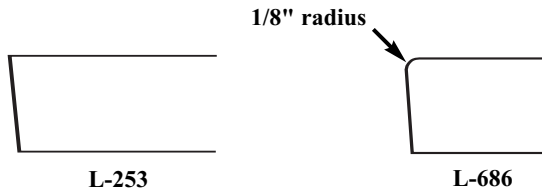
Product	Standard Lead-time	Expedite max. 6 frames	
		Code Red	Code Blue
Custom front frames	10	2	5
Options, additional work days			
Shaped rail	3	3	3
Pre-fit inset doors	2	2	2

Orders containing products with different lead-times are given the lead-time date of the longest product.



Inset Door and Drawer Front Information

Two standard lip options are available for use with inset doors and drawer fronts: L-253 and L-686 edges depicted below. These two lip options have a 5 degree back bevel edge to ensure sufficient door clearance. Machine edge is available upon request at no additional upcharge.



Standard Lip Options

Front frames ordered with inset doors and drawer fronts will be pre-fit to the opening size. A 3/32" margin will be used on all sides for single doors and drawer fronts and between butt door pairs.

Design Exceptions

- The following edge profile options are not available for inset applications: B, B-2, C, C-2, CFP, E, E-2, FP, J-2, H, H-2, Bullnose, LC-2, L-059, L-061, L-149, PRS, PRS-2, Round-2, V, V-2, O, machine edge with rabbet, FEP, LC inset and Sophisticate.
- The following door and drawer front styles are not available for inset applications due to their unique design characteristics: CRP -1420, CRP-10191, CRP-10318, CRP-10334, CRP-10827, CRP-10875, CRP-10946, DVG Batten, Fairhaven, Flush Batten, Gainsborough, LaSalle, Milan, Prestige, Royal, V-200, Windham and 10946.
*Flat panel doors in the above designs are also not available.
- Openings with trimmable inserts are not available beaded.
- Inset doors and drawer fronts are not available in MDF or RTF products.

Miter/Inset Combination Not Recommended

Miter doors and drawer fronts are not recommended for inset applications for the following reasons:

Miter lines may not intersect door edge after pre-fit sanding. Not considered a defect by Conestoga, this condition may not be visually pleasing to some customers.

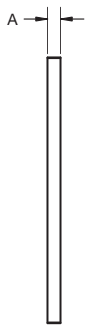
Panel expansion caused by high humidity may cause miter doors to bind inside frame openings. Although Conestoga's miter door joint construction is one of the industry's most durable, high humidity can nevertheless cause panel expansion. The resulting pressure can push the mitered door framing outward against the frame openings.

If a miter design is necessary, Conestoga recommends specifying a plywood center panel. See applicable specifications in the Custom Products Manual for further information.

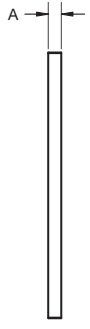


One Opening Front Frames

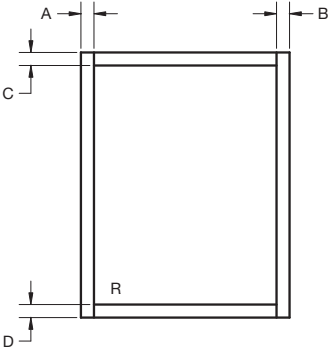
CF00001
Beaded on 1 long edge



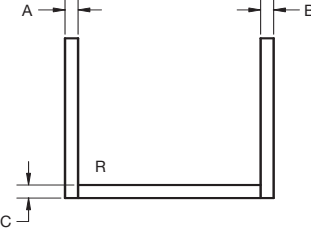
CF00002
Beaded on 2 long edges



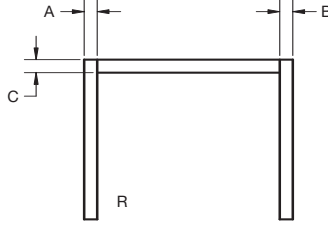
CF01001



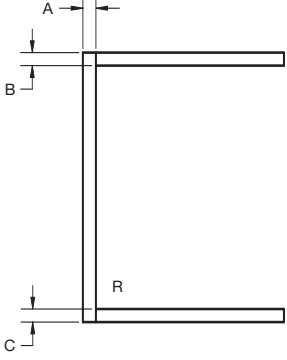
CF01002



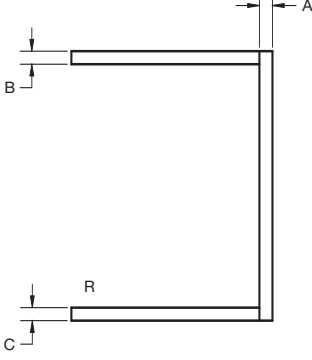
CF01003



CF01004



CF01005



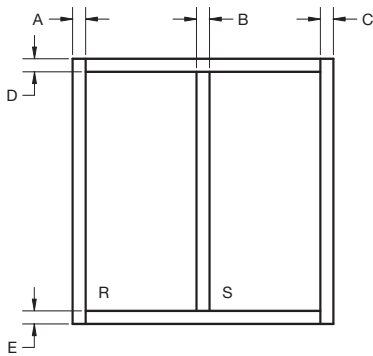
FRONT FRAMES

Custom Products

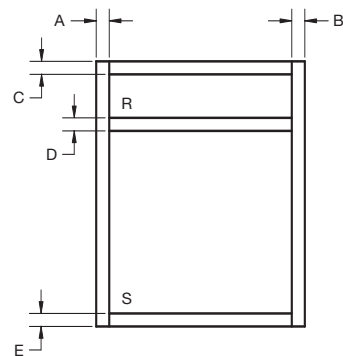


Two Opening Front Frames

CF02001

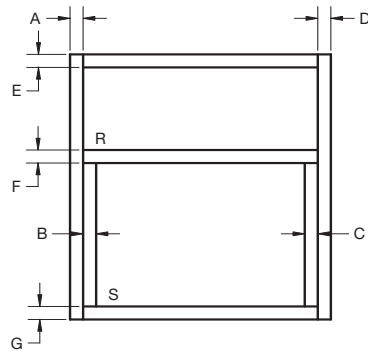


CF02002



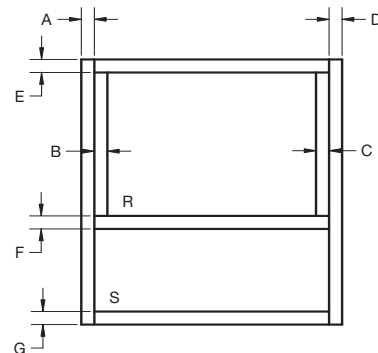
CF02003

On beaded front frames, opening "S" not beaded

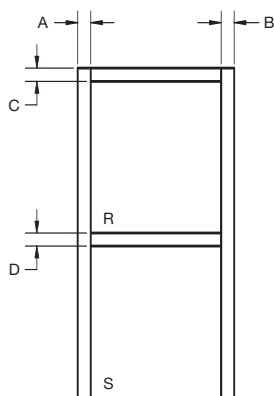


CF02004

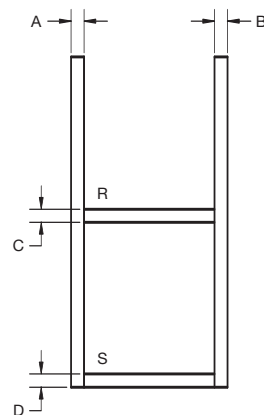
On beaded front frames, opening "R" not beaded



CF02005



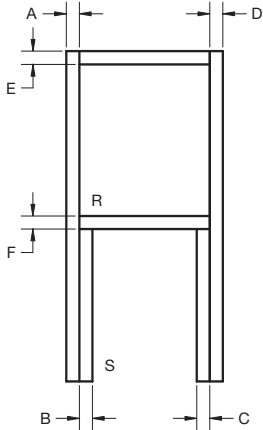
CF02006



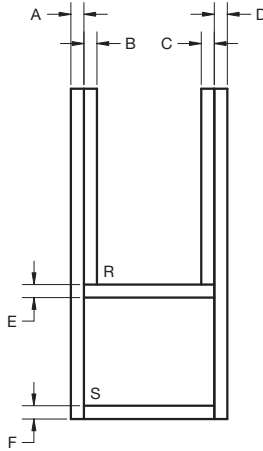


Two Opening Front Frames

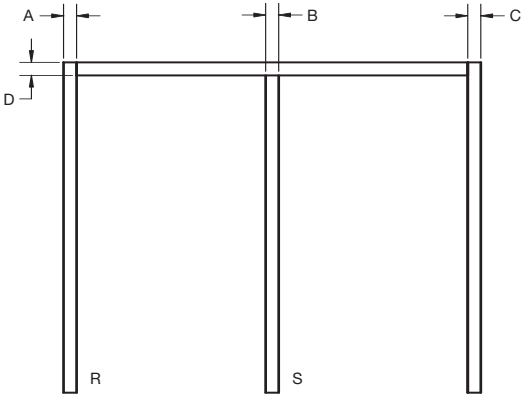
CF02007
On beaded front frames, opening "S" not beaded



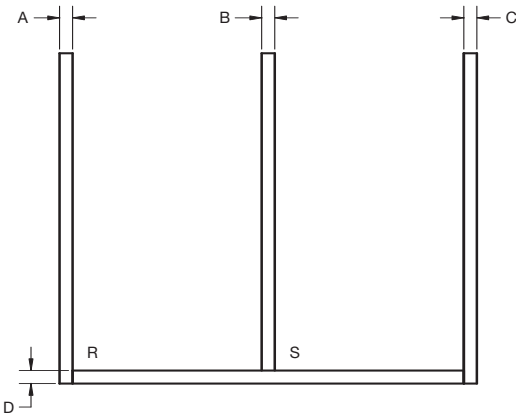
CF02008
On beaded front frames, opening "R" not beaded



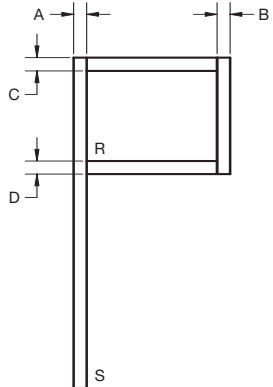
CF02009



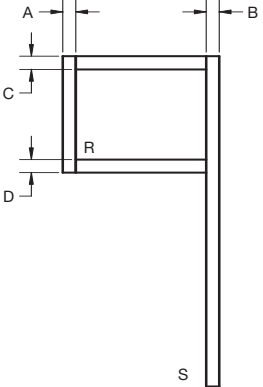
CF02010



CF02011
On beaded front frames, opening "S" not beaded



CF02012
On beaded front frames, opening "S" not beaded



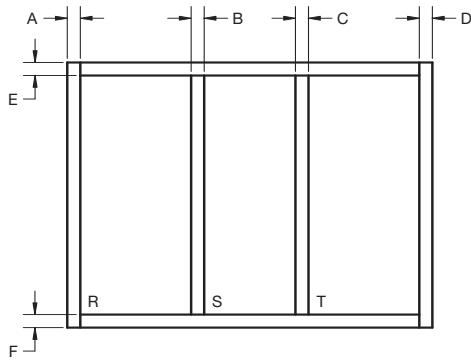
FRONT FRAMES

Custom Products

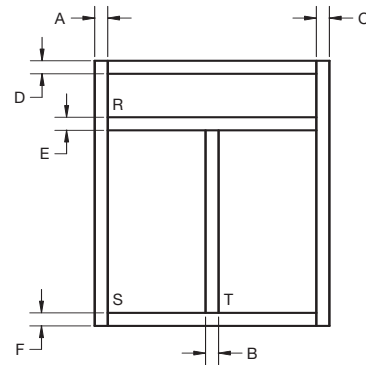


Three Opening Front Frames

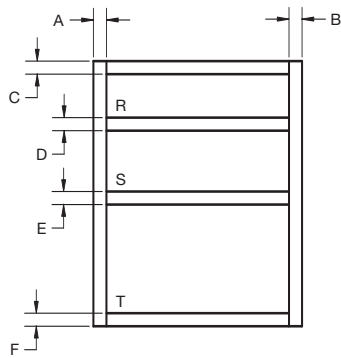
CF03001



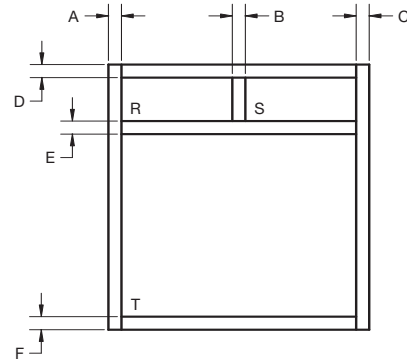
CF03002



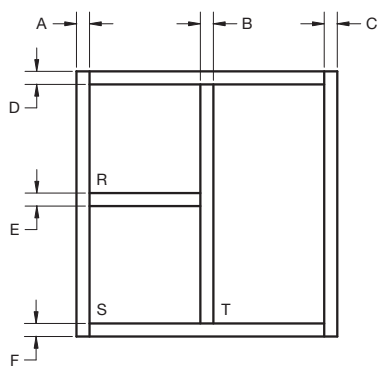
CF03003



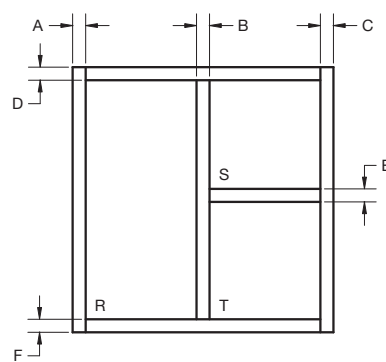
CF03004



CF03005



CF03006



FRONT FRAMES

Custom Products

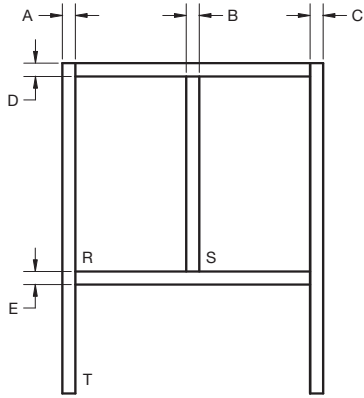


Three Opening Front Frames

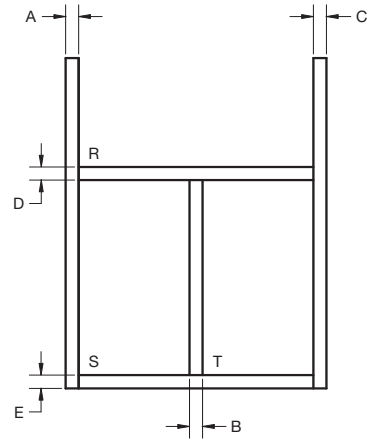
FRONT FRAMES

Custom Products

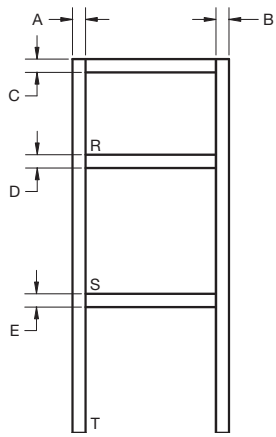
CF03007



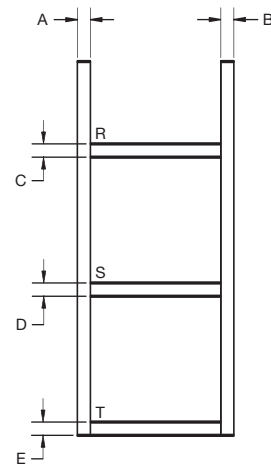
CF03008



CF03009

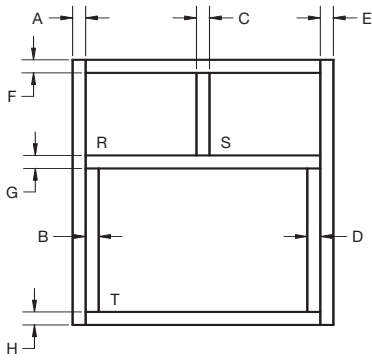


CF03010



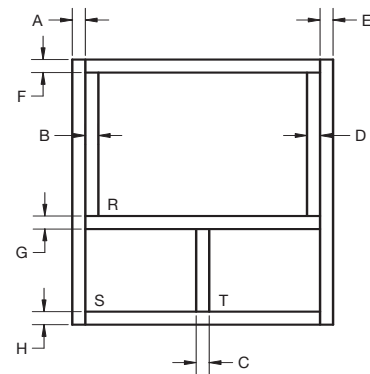
CF03011

On beaded front frames, opening "T" not beaded



CF03012

On beaded front frames, opening "R" not beaded

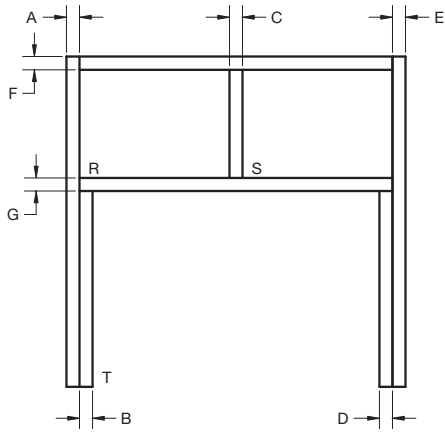




Three Opening Front Frames

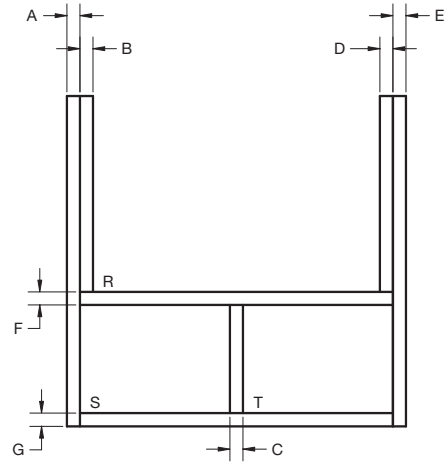
CF03013

On beaded front frames, opening "T" not beaded



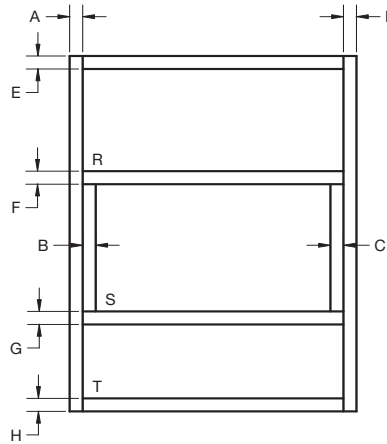
CF03014

On beaded front frames, opening "R" not beaded



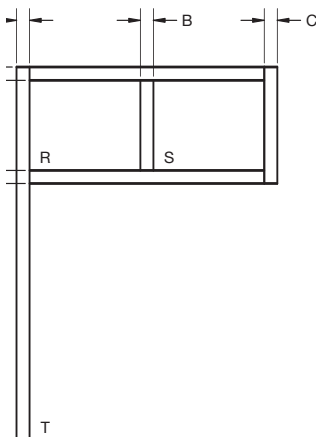
CF03015

On beaded front frames, opening "S" not beaded



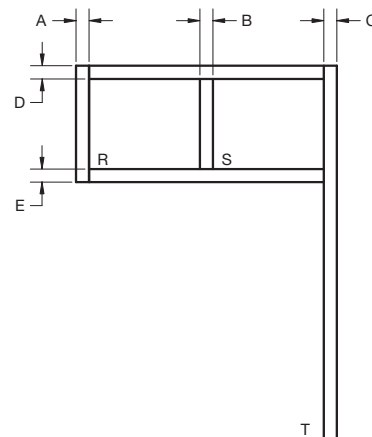
CF03016

On beaded front frames, opening "T" not beaded



CF03017

On beaded front frames, opening "T" not beaded





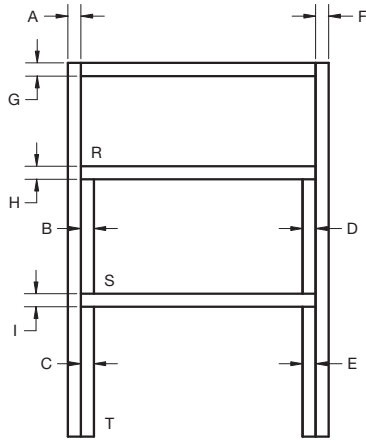
Three Opening Front Frames

FRONT FRAMES

Custom Products

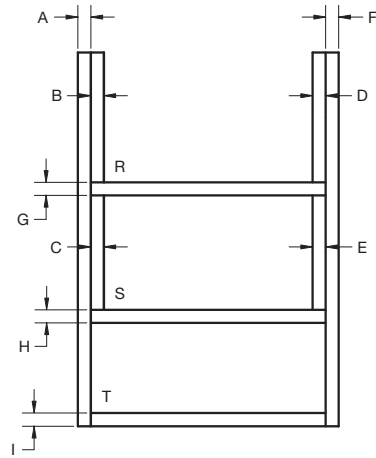
CF03019

On beaded front frames, openings "S" & "T" not beaded



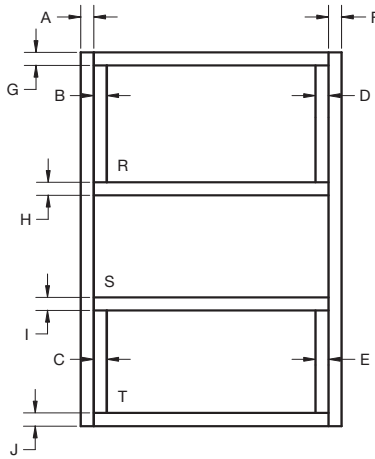
CF03020

On beaded front frames, openings "R" & "S" not beaded



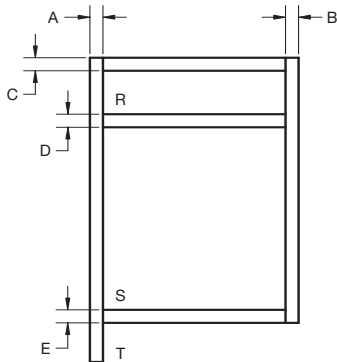
CF03021

On beaded front frames, openings "R" & "T" not beaded



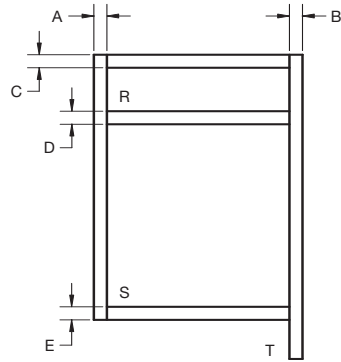
CF03022

On beaded front frames, opening "T" not beaded



CF03023

On beaded front frames, opening "T" not beaded

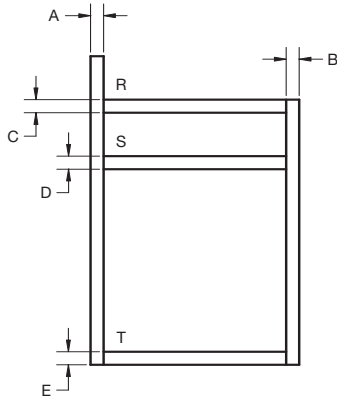




Three Opening Front Frames

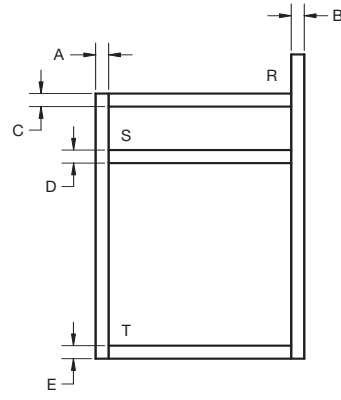
CF03024

On beaded front frames, opening "R" not beaded



CF03025

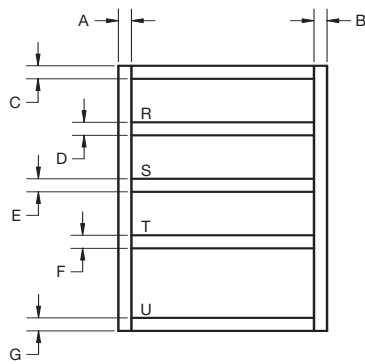
On beaded front frames, opening "R" not beaded



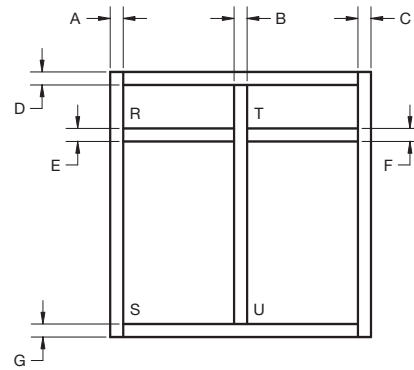


Four Opening Front Frames

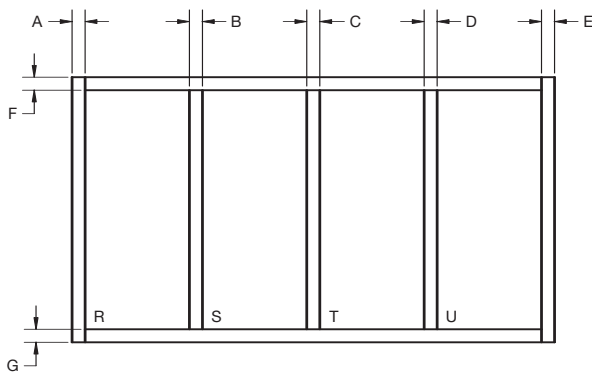
CF04001



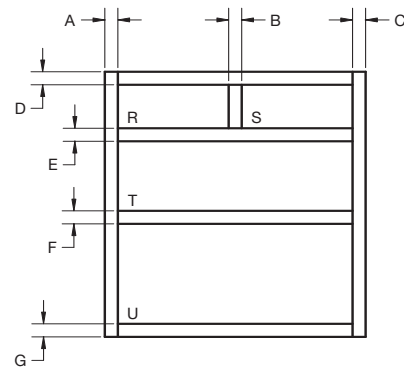
CF04002



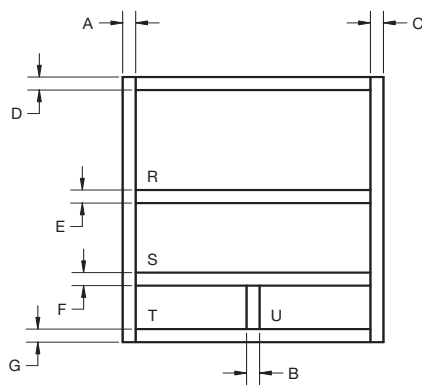
CF04003



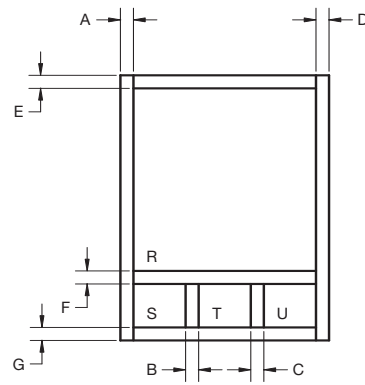
CF04004



CF04005



CF04006



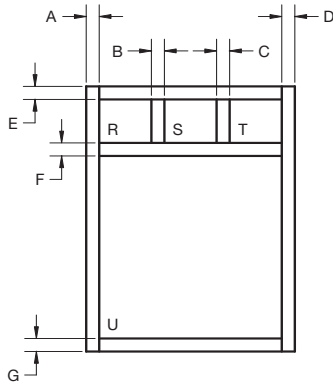
FRONT FRAMES

Custom Products

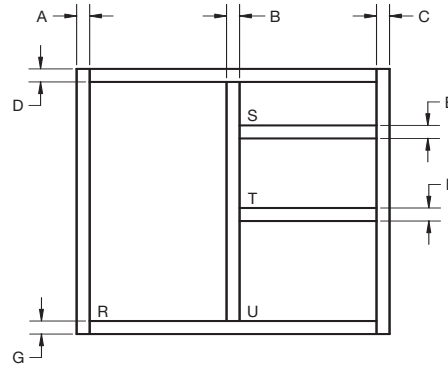


Four Opening Front Frames

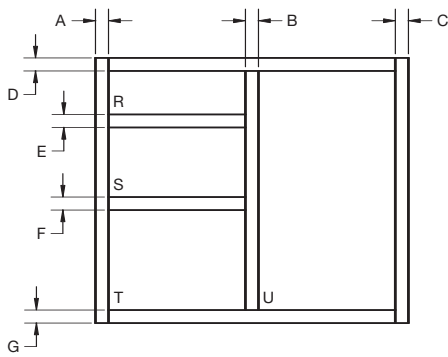
CF04007



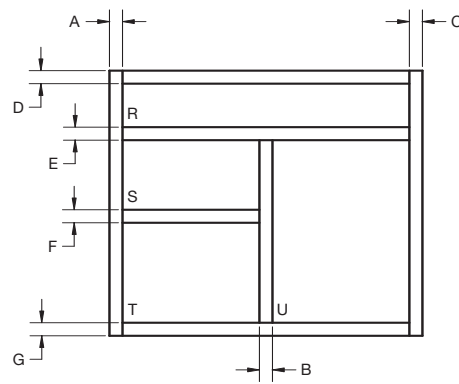
CF04008



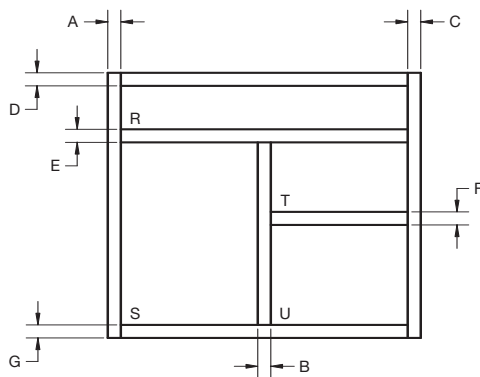
CF04009



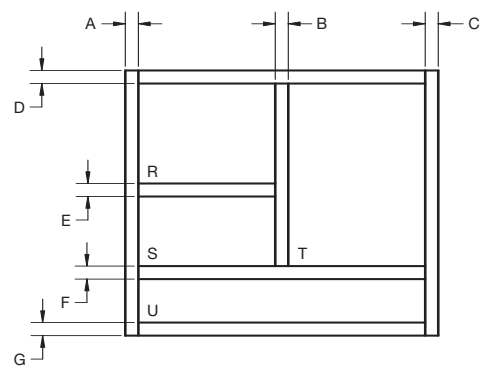
CF04010



CF04011



CF04012



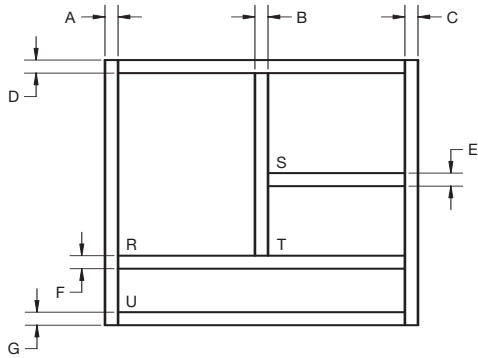
FRONT FRAMES

Custom Products

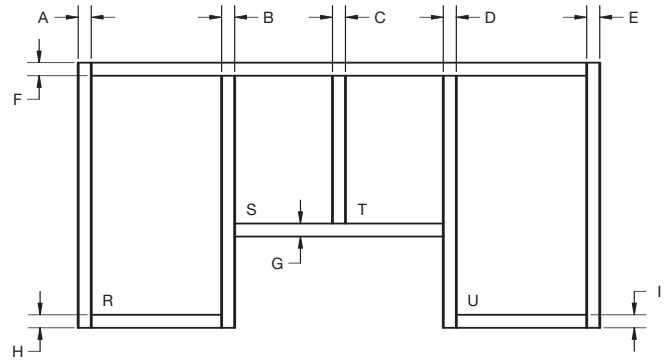


Four Opening Front Frames

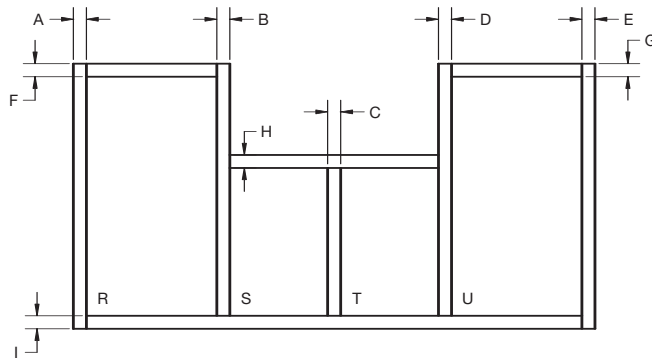
CF04013



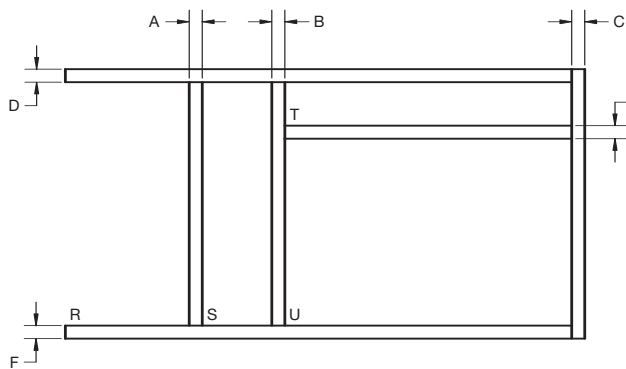
CF04014



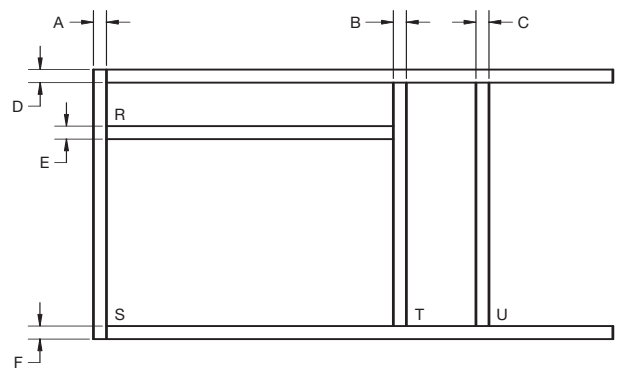
CF04015



CF04016



CF04017



FRONT FRAMES

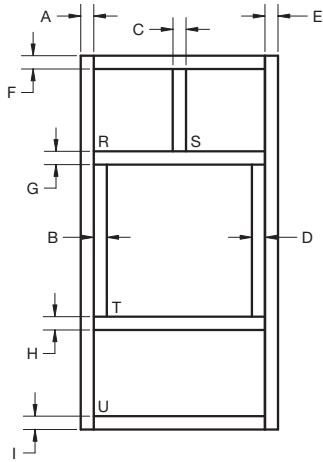
Custom Products



Four Opening Front Frames

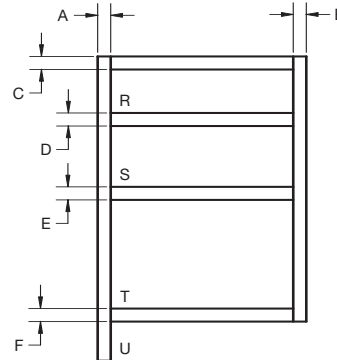
CF04021

On beaded front frames, opening "T" not beaded



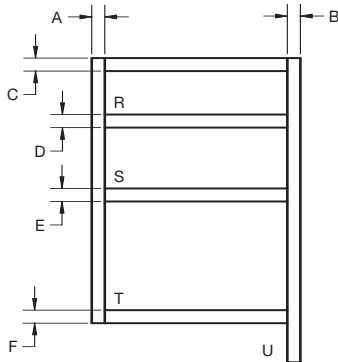
CF04022

On beaded front frames, opening "U" not beaded



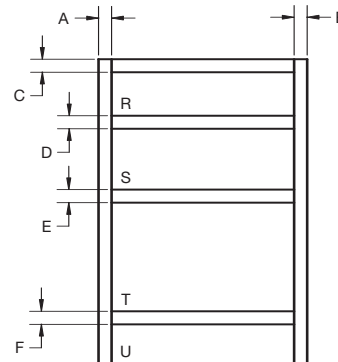
CF04023

On beaded front frames, opening "U" not beaded



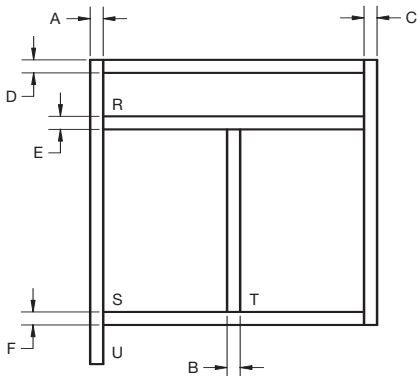
CF04024

On beaded front frames, opening "U" not beaded



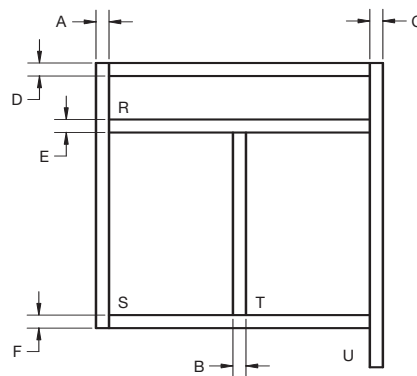
CF04025

On beaded front frames, opening "U" not beaded



CF04026

On beaded front frames, opening "U" not beaded



FRONT FRAMES

Custom Products



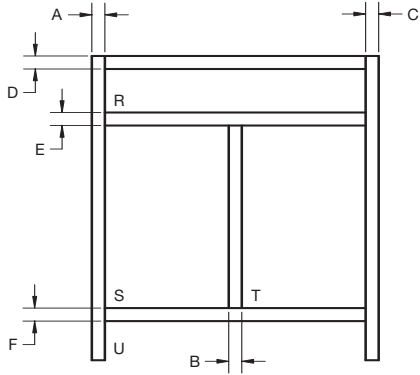
Four Opening Front Frames

FRONT FRAMES

Custom Products

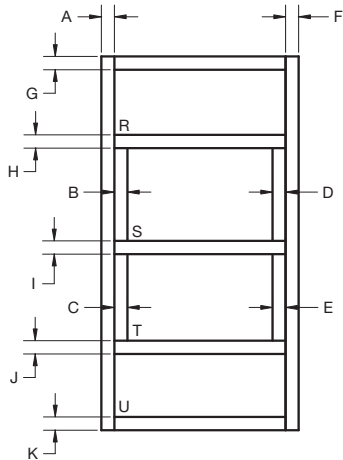
CF04027

On beaded front frames, opening "U" not beaded



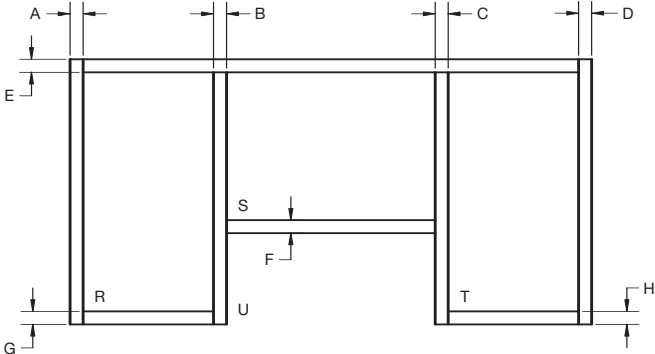
CF04028

On beaded front frames, openings "S" & "T" not beaded

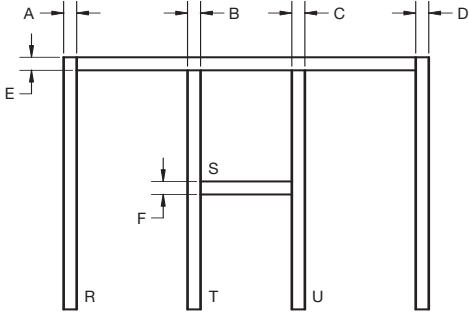


CF04029

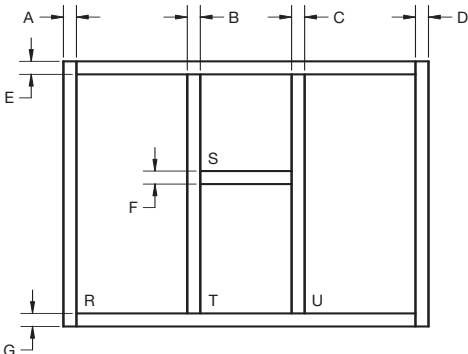
On beaded front frames, opening "U" not beaded



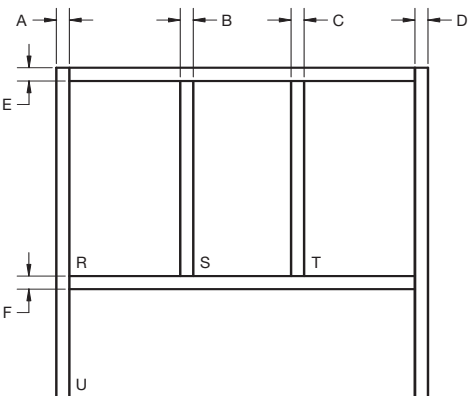
CF04030



CF04031



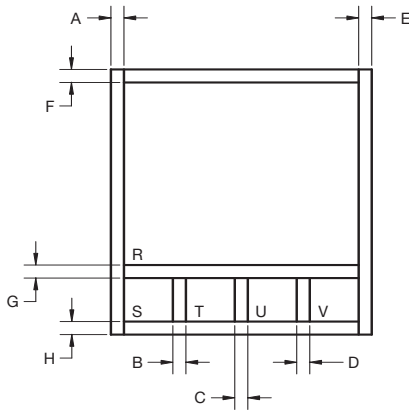
CF04032



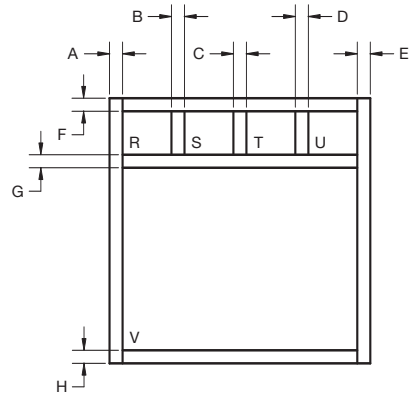


Five Opening Front Frames

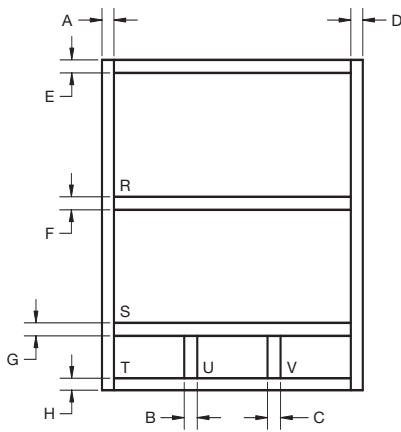
CF05001



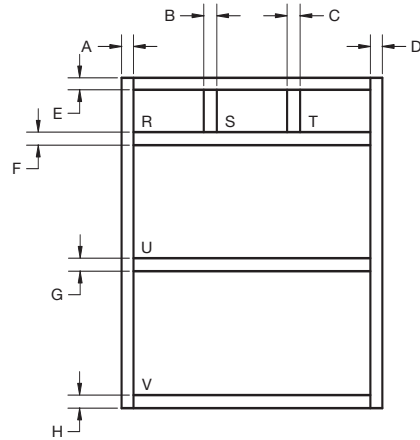
CF05002



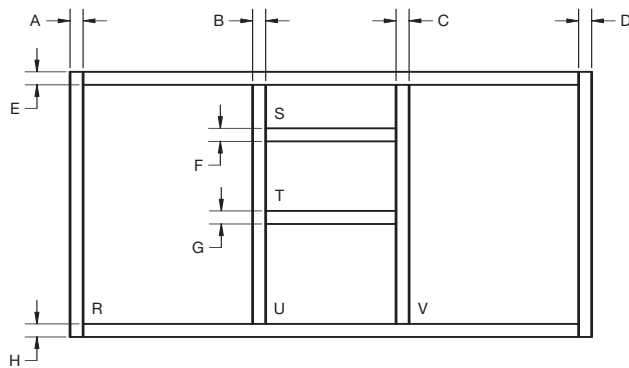
CF05003



CF05004



CF05005



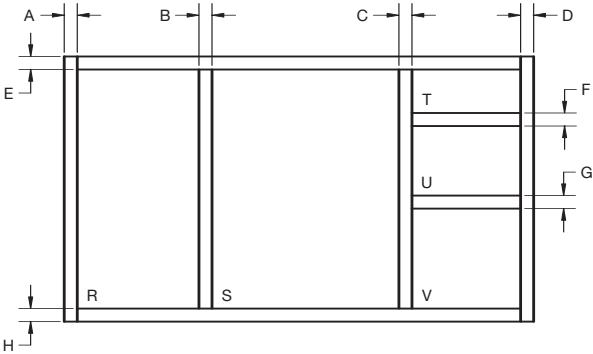
FRONT FRAMES

Custom Products

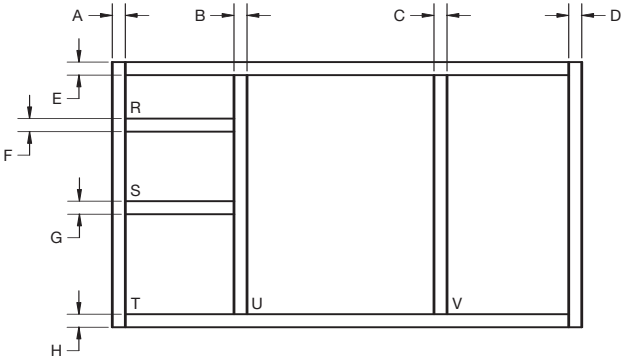


Five Opening Front Frames

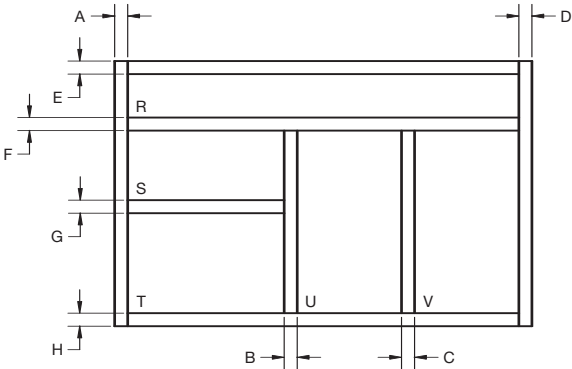
CF05006



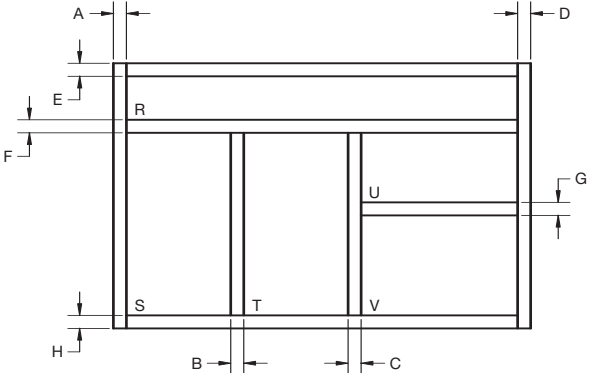
CF05007



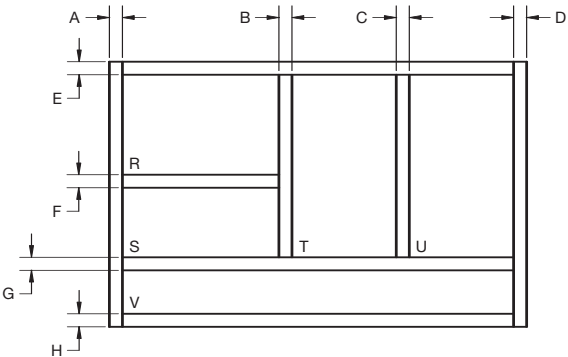
CF05008



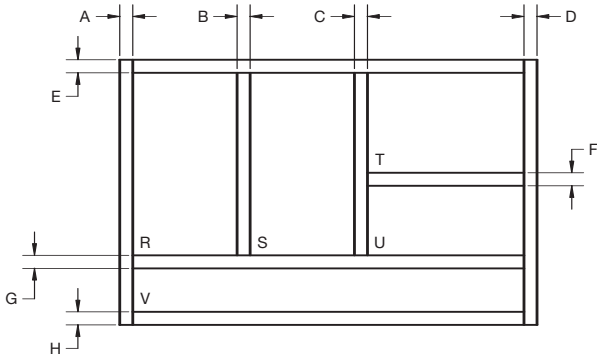
CF05009



CF05010



CF05011



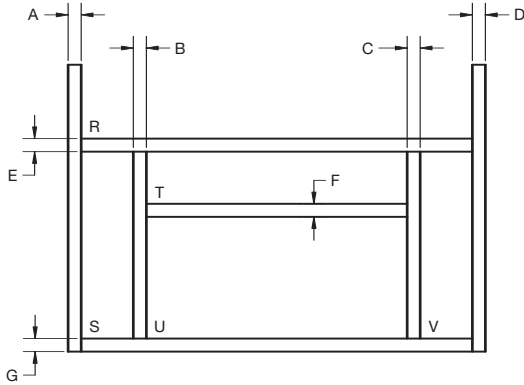
FRONT FRAMES

Custom Products

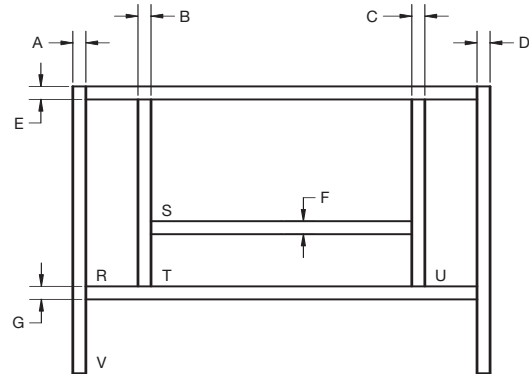


Five Opening Front Frames

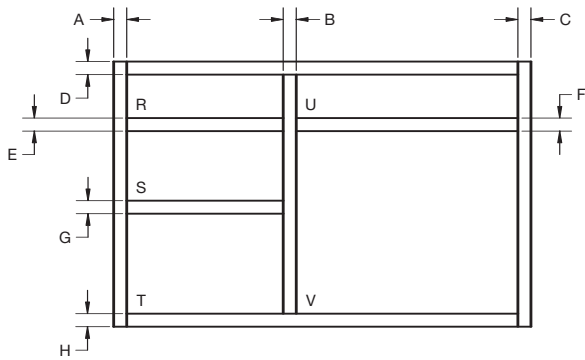
CF05012



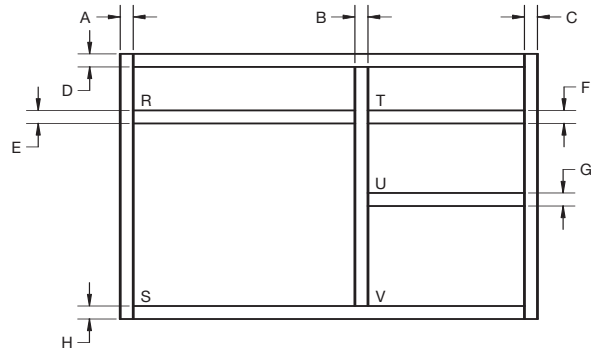
CF05013



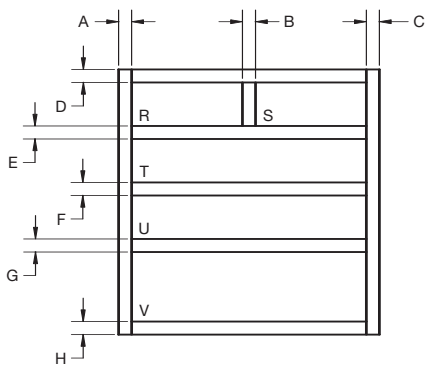
CF05014



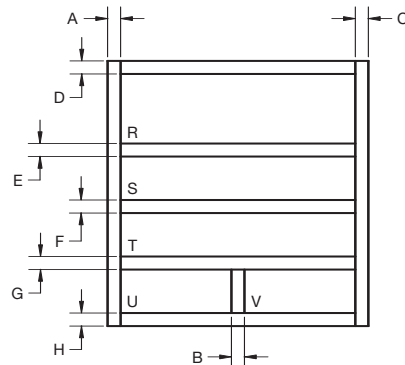
CF05015



CF05016



CF05017



FRONT FRAMES

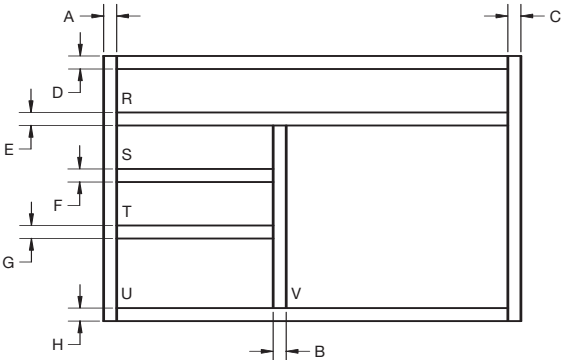
Custom Products



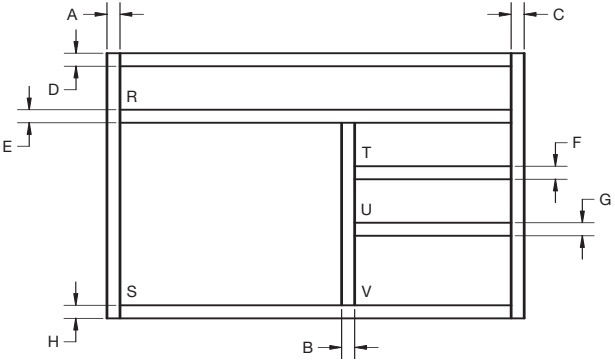
Five Opening Front Frames

FRONT FRAMES
Custom Products

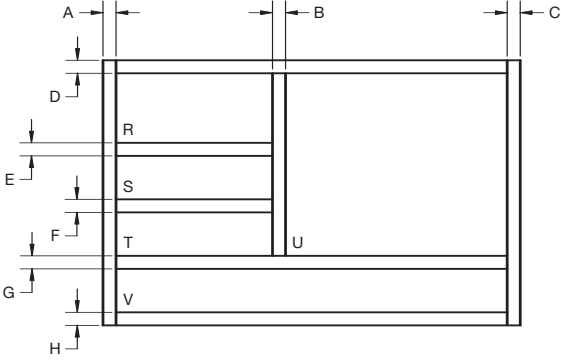
CF05018



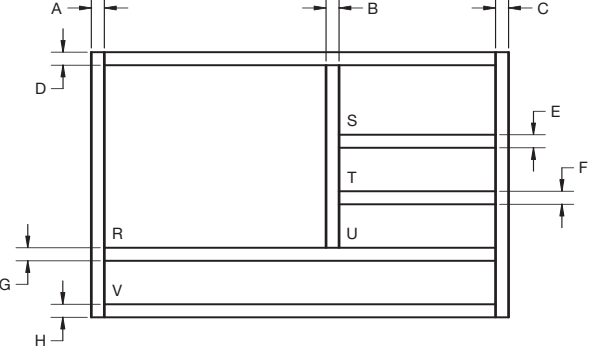
CF05019



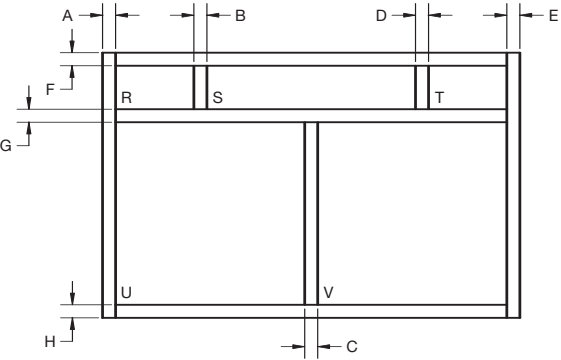
CF05020



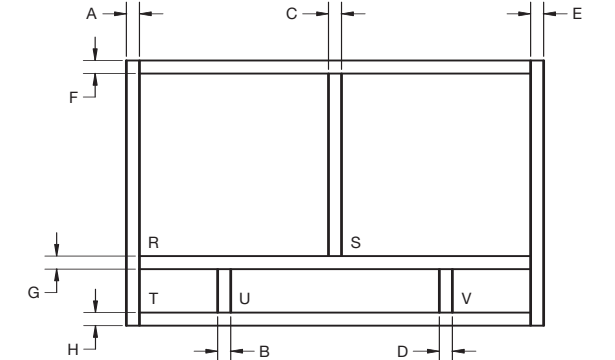
CF05021



CF05022



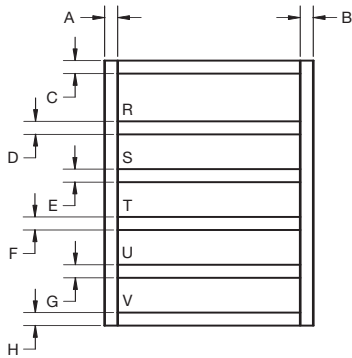
CF05023



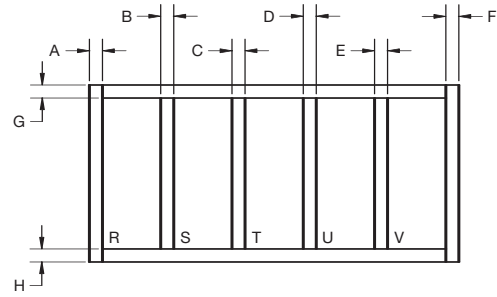


Five Opening Front Frames

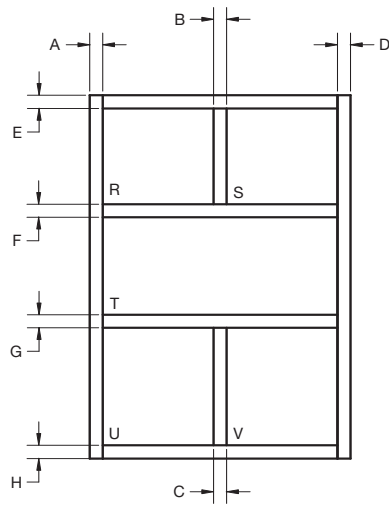
CF05024



CF05025

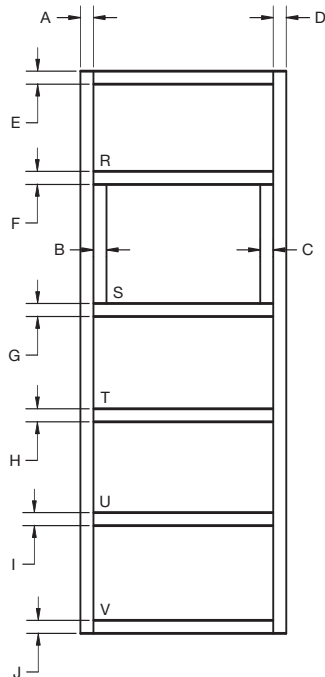


CF05026



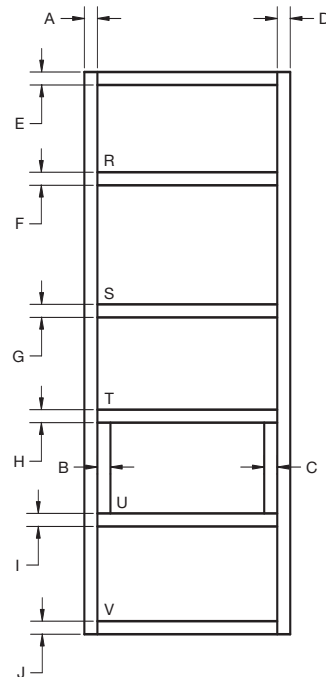
CF05027

On beaded front frames, opening "S" not beaded



CF05028

On beaded front frames, opening "U" not beaded



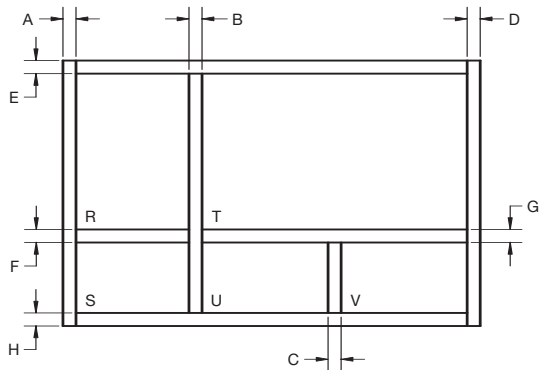
FRONT FRAMES

Custom Products



Five Opening Front Frames

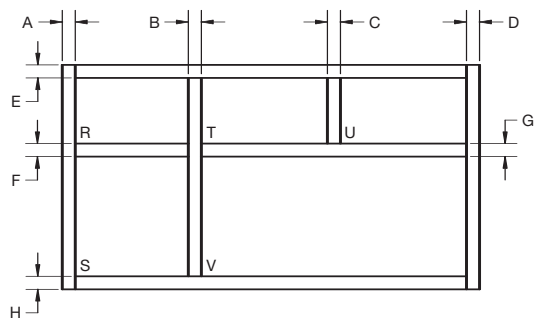
CF05029



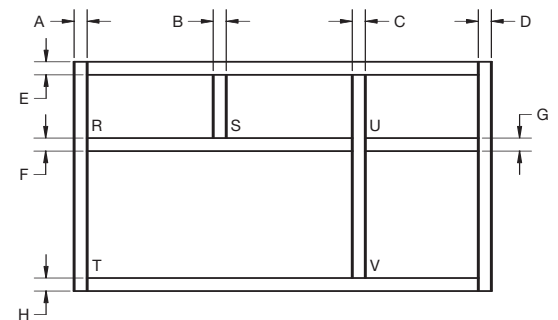
CF05030



CF05031

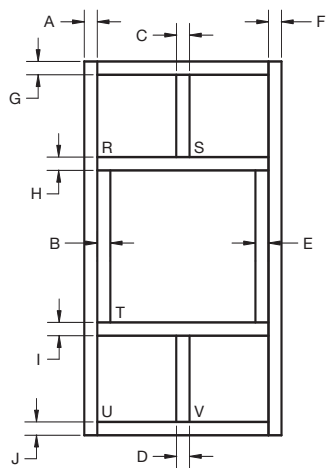


CF05032



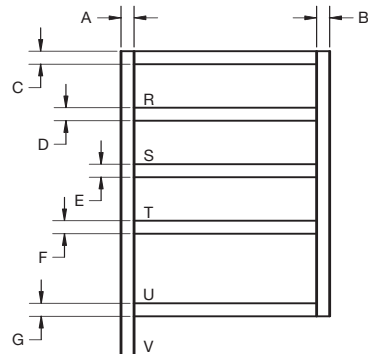
CF05034

On beaded front frames, opening "T" not beaded



CF05035

On beaded front frames, opening "V" not beaded



FRONT FRAMES

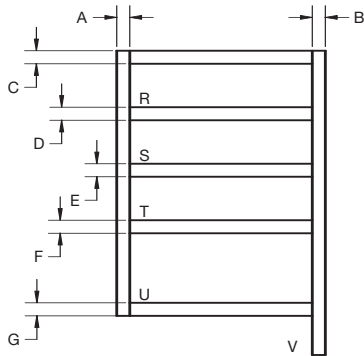
Custom Products



Five Opening Front Frames

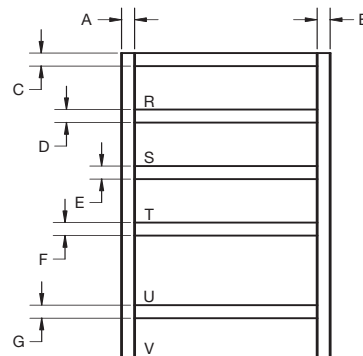
CF05036

On beaded front frames, opening "V" not beaded



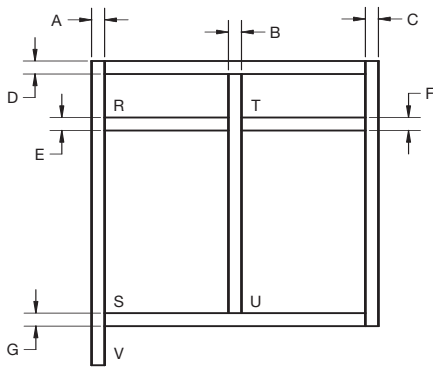
CF05037

On beaded front frames, opening "V" not beaded



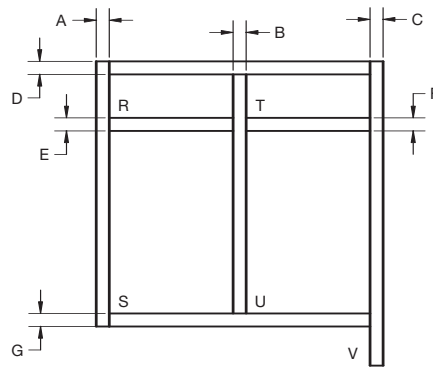
CF05038

On beaded front frames, opening "V" not beaded



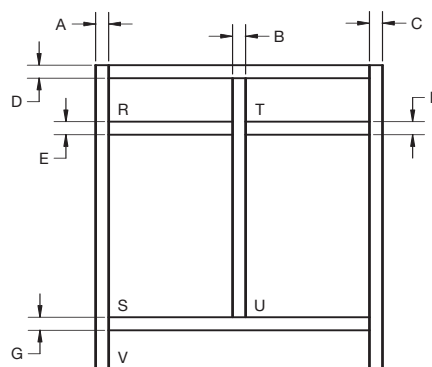
CF05039

On beaded front frames, opening "V" not beaded



CF05040

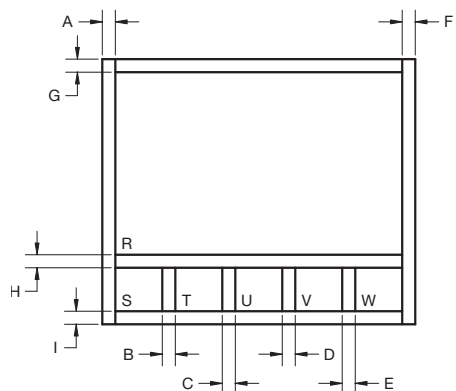
On beaded front frames, opening "V" not beaded



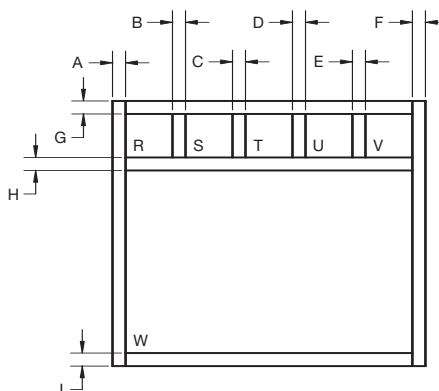


Six Opening Front Frames

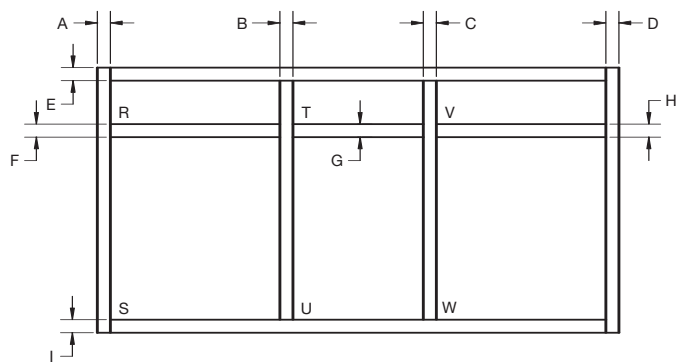
CF06001



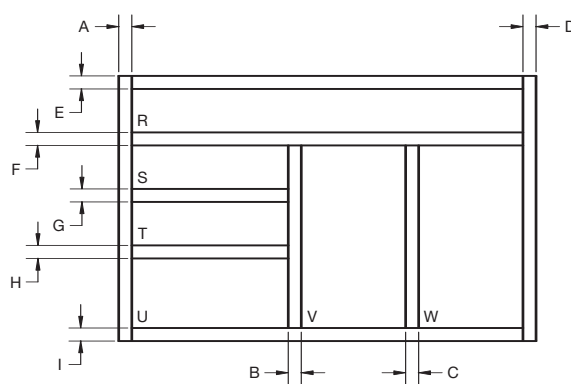
CF06002



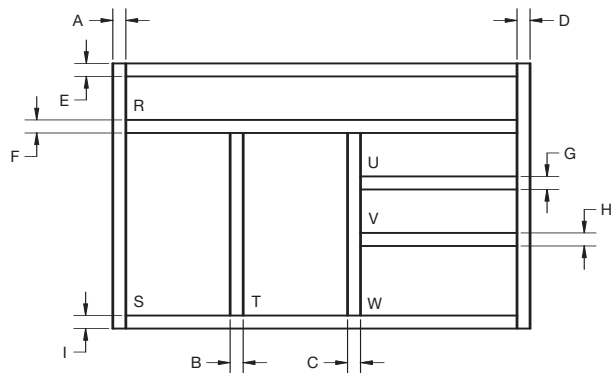
CF06003



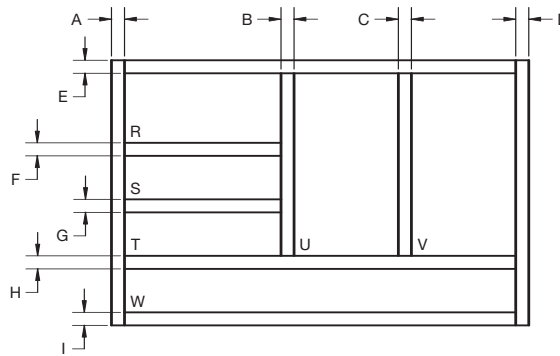
CF06004



CF06005



CF06006



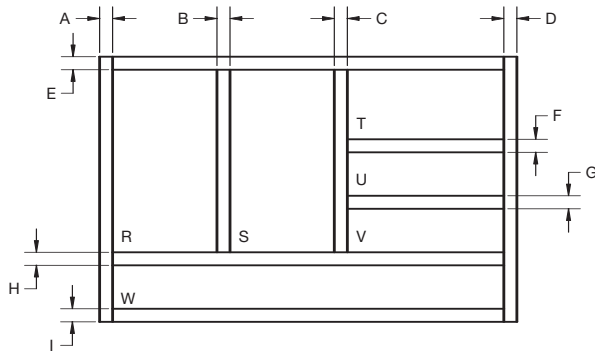
FRONT FRAMES

Custom Products

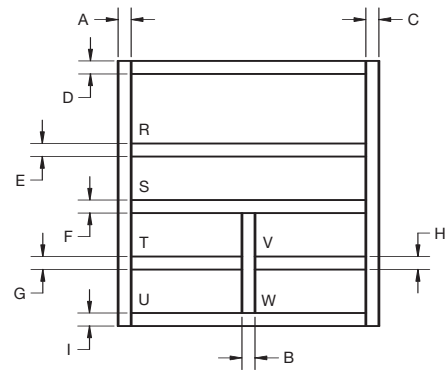


Six Opening Front Frames

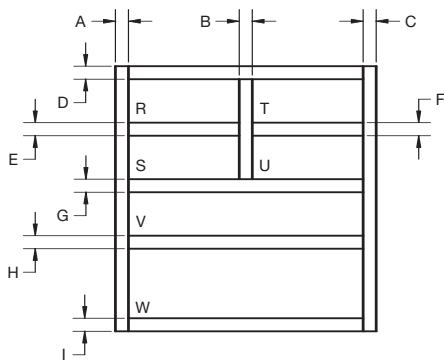
CF06007



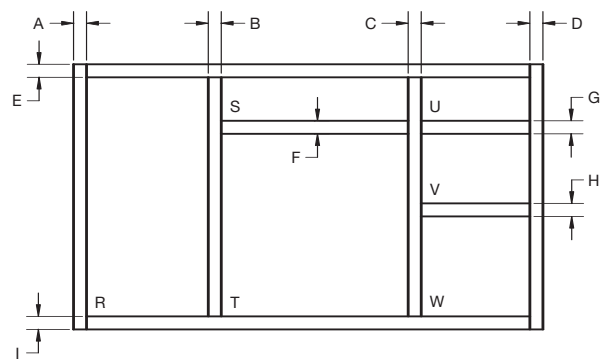
CF06008



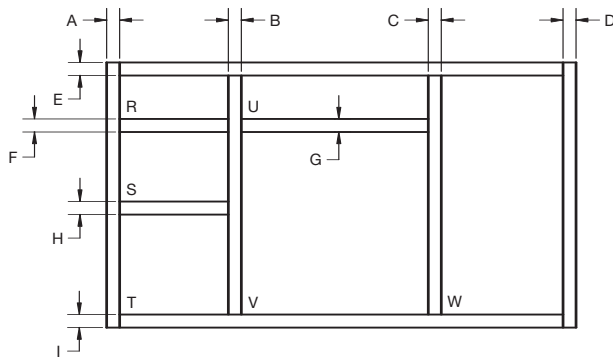
CF06009



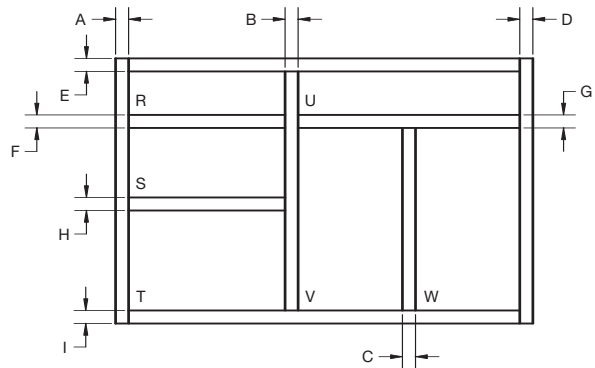
CF06010



CF06011



CF06012



FRONT FRAMES

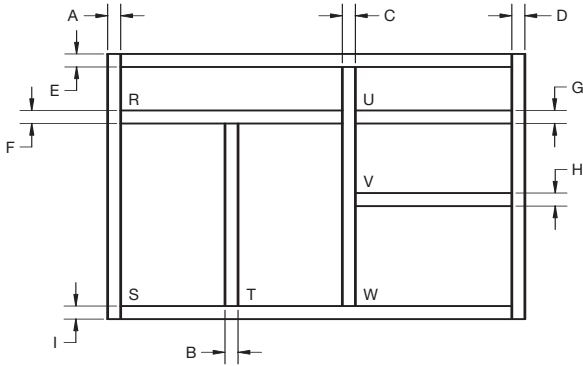
Custom Products



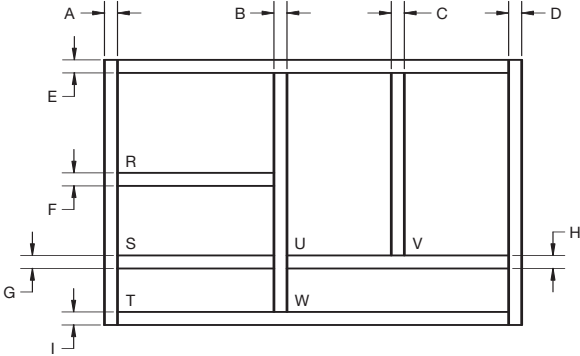
Six Opening Front Frames

FRONT FRAMES
Custom Products

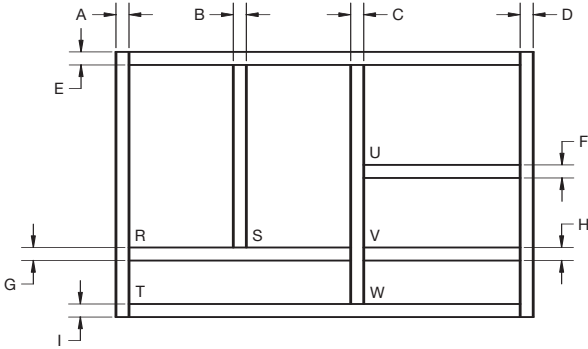
CF06013



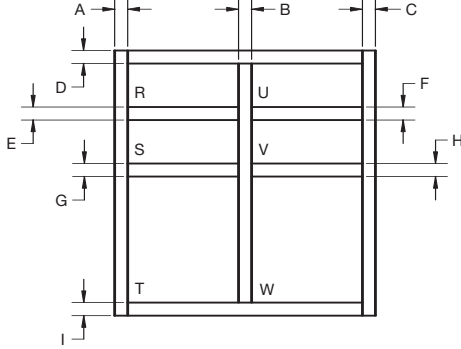
CF06014



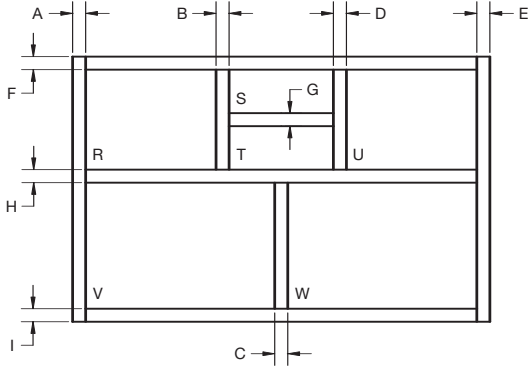
CF06015



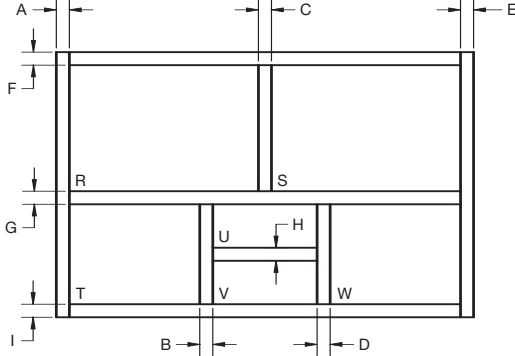
CF06016



CF06017



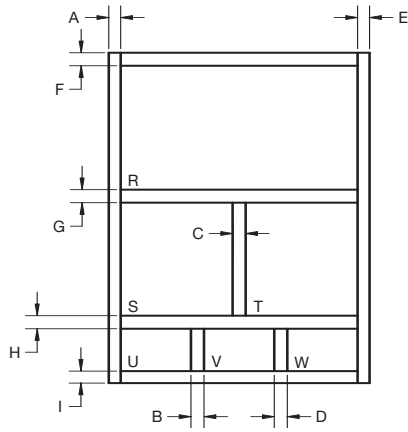
CF06018



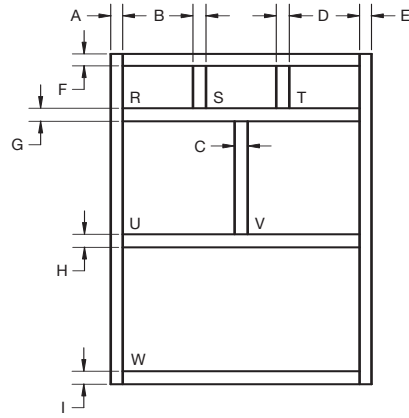


Six Opening Front Frames

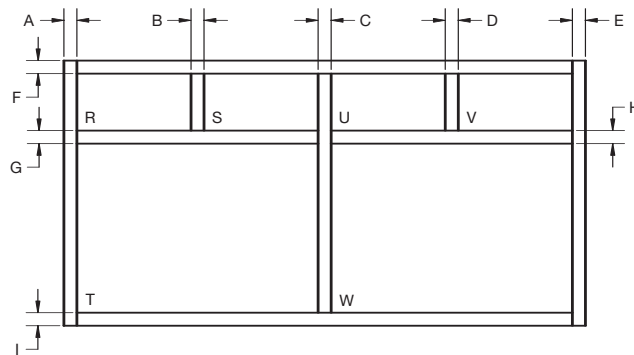
CF06019



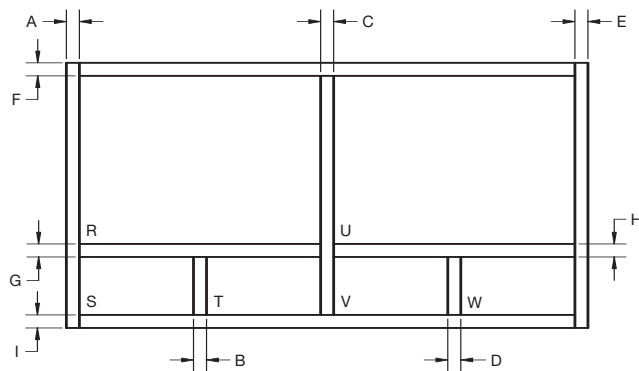
CF06020



CF06021



CF06022



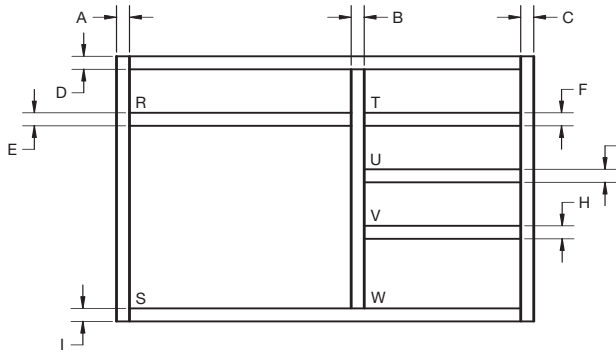
FRONT FRAMES

Custom Products

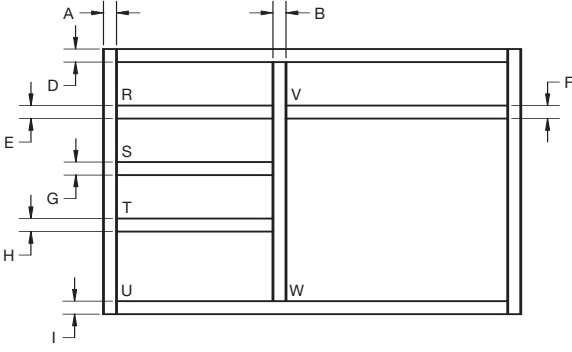


Six Opening Front Frames

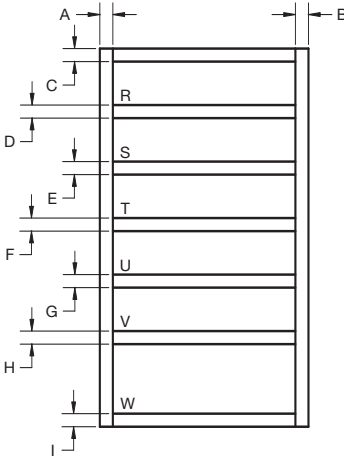
CF06023



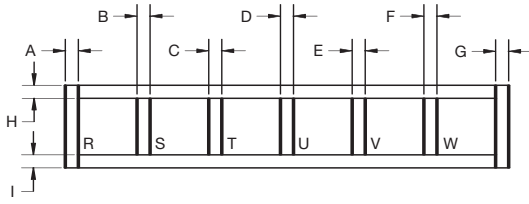
CF06024



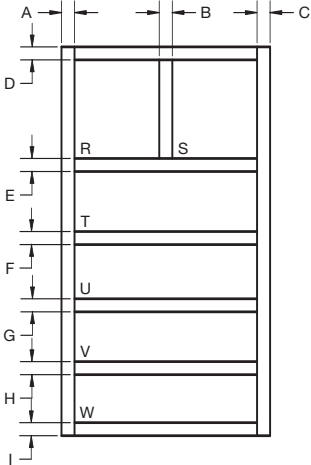
CF06025



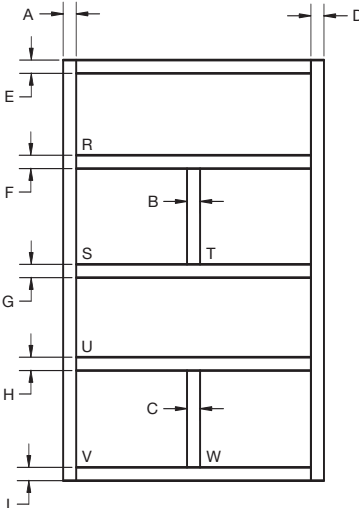
CF06026



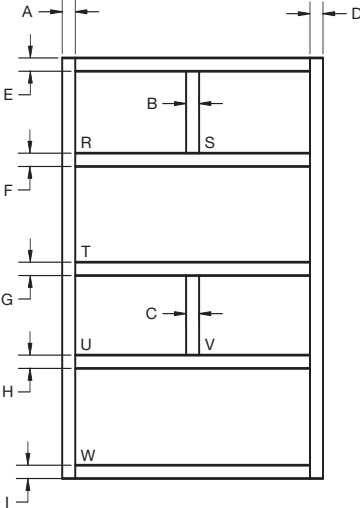
CF06027



CF06028



CF06029



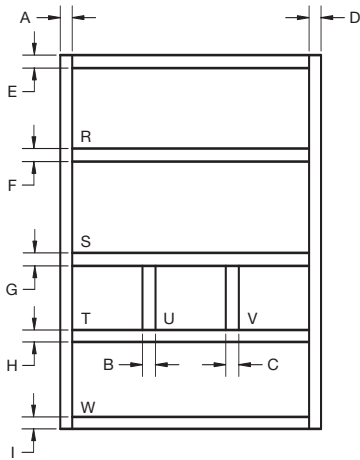
FRONT FRAMES

Custom Products

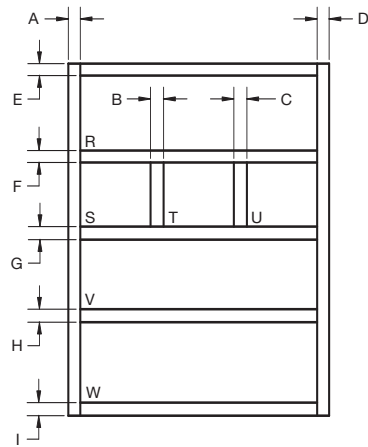


Six Opening Front Frames

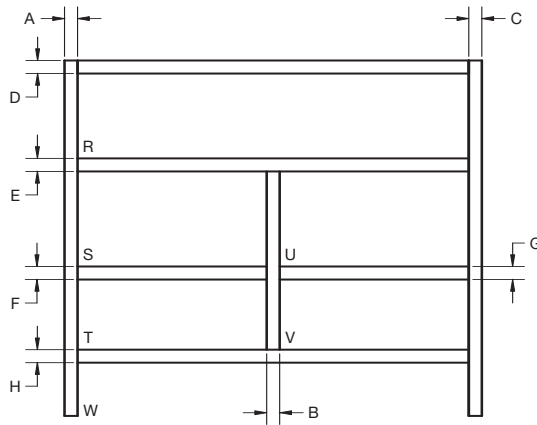
CF06030



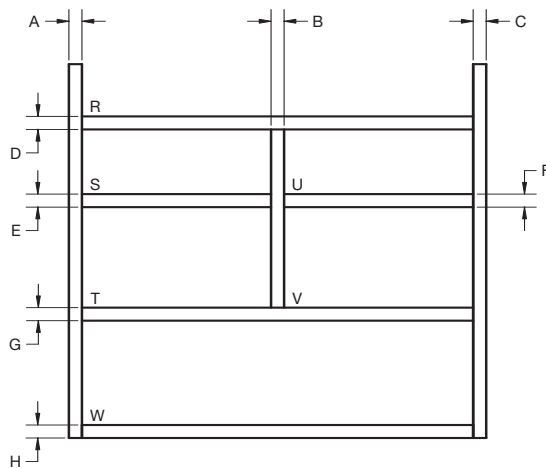
CF06031



CF06032



CF06033



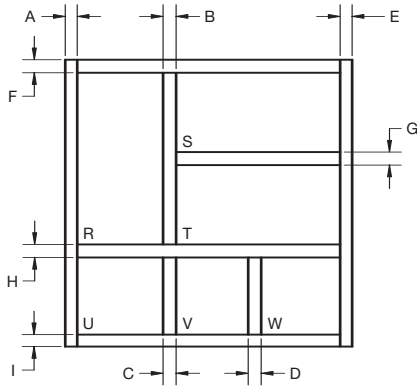
FRONT FRAMES

Custom Products

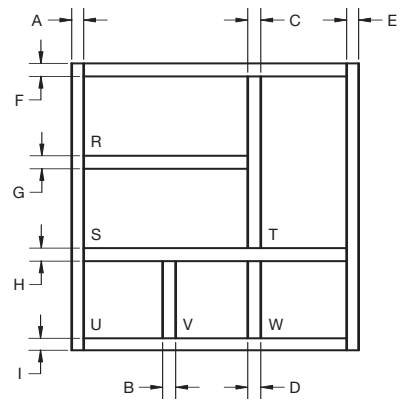


Six Opening Front Frames

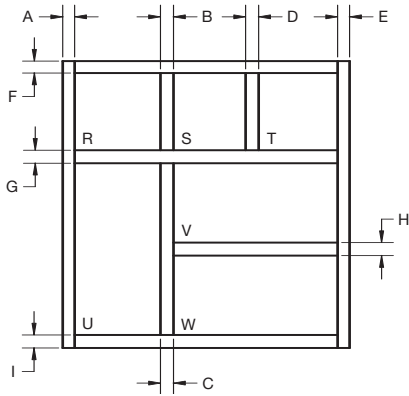
CF06034



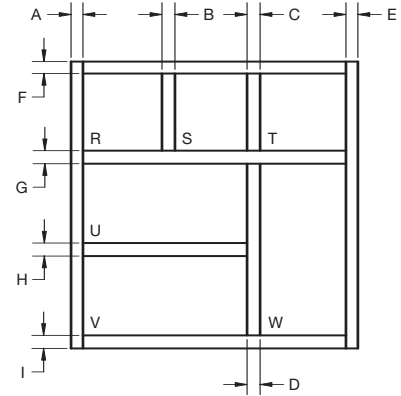
CF06035



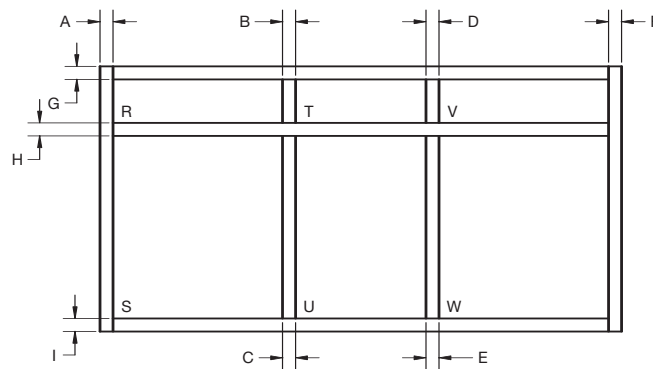
CF06036



CF06037



CF06038



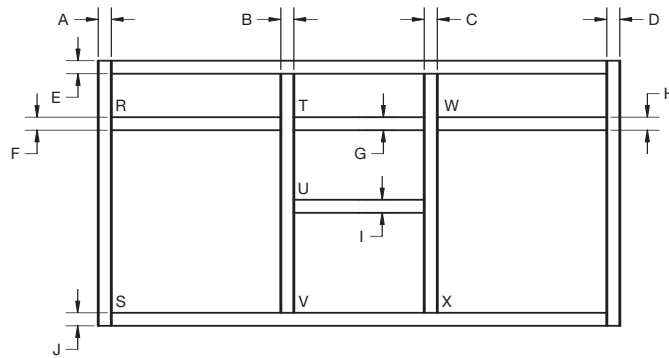
FRONT FRAMES

Custom Products

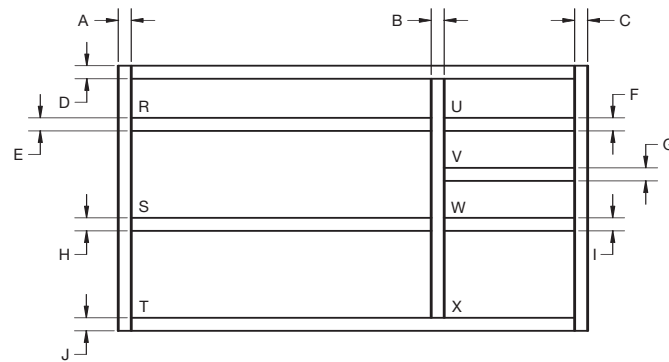


Seven Opening Front Frames

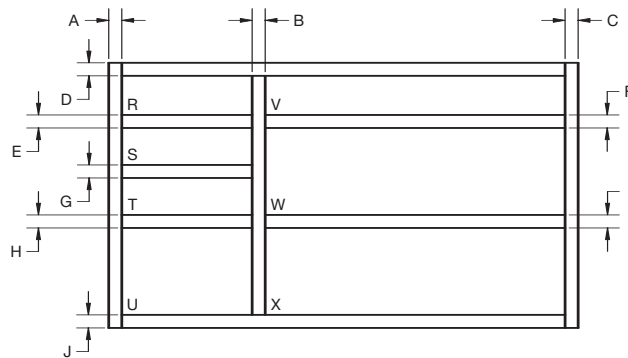
CF07001



CF07002



CF07003



FRONT FRAMES

Custom Products

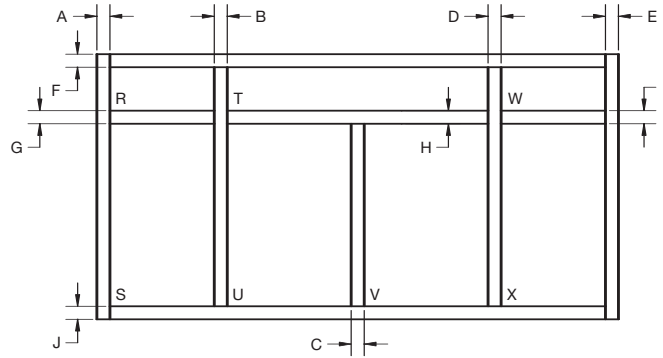


Seven Opening Front Frames

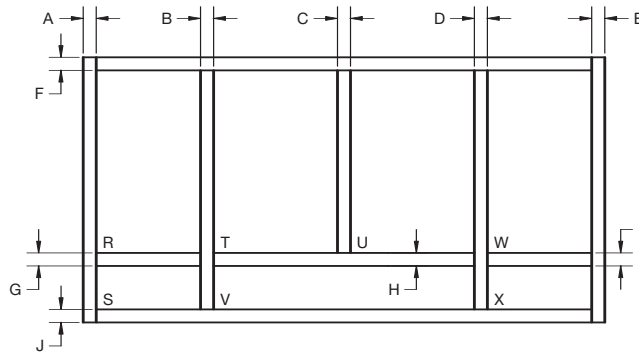
FRONT FRAMES

Custom Products

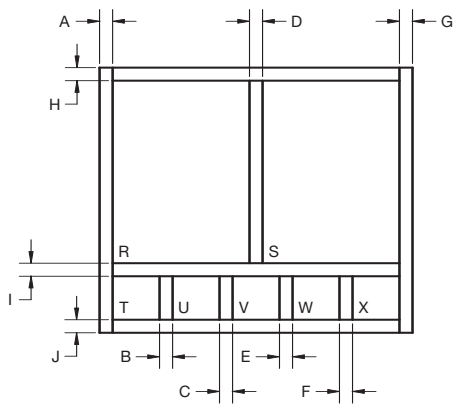
CF07004



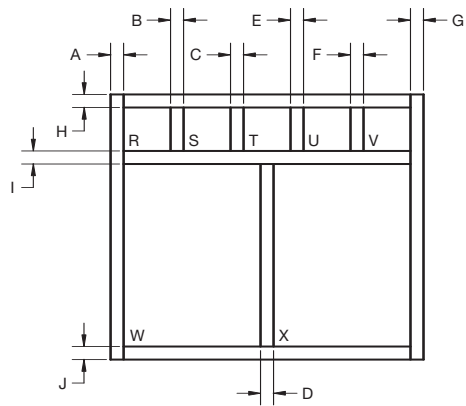
CF07005



CF07006



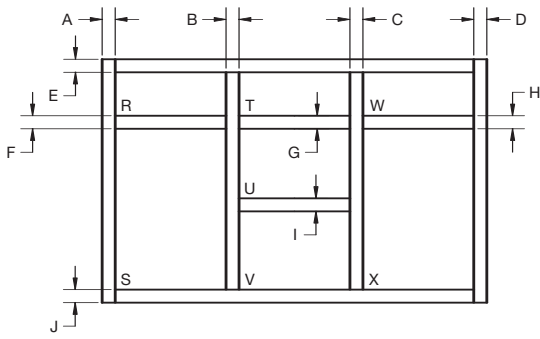
CF07007



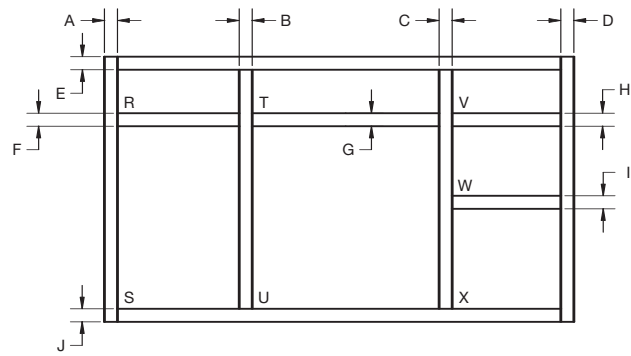


Seven Opening Front Frames

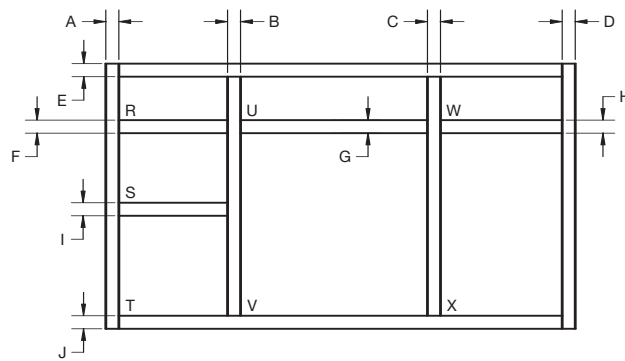
CF07008



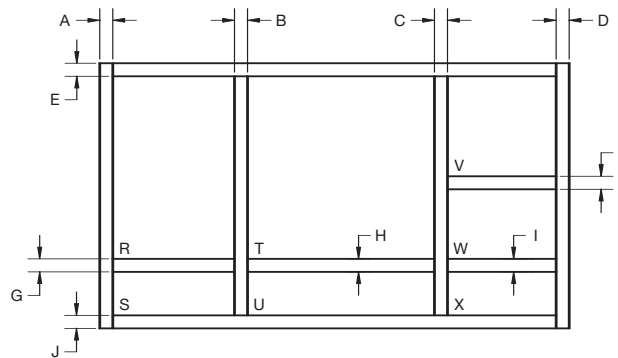
CF07009



CF07010



CF07011



FRONT FRAMES

Custom Products

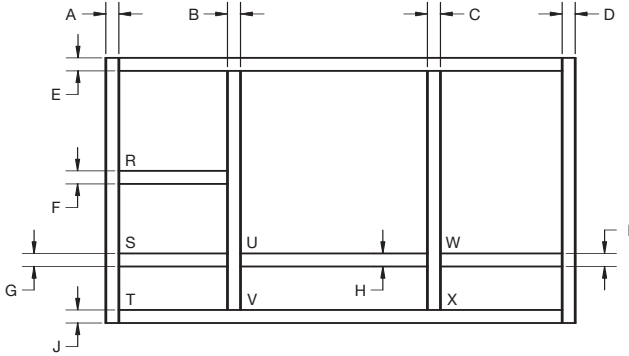


Seven Opening Front Frames

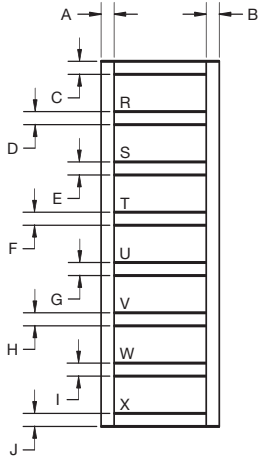
FRONT FRAMES

Custom Products

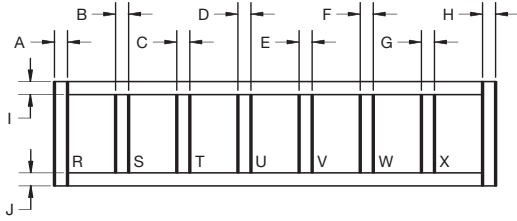
CF07012



CF07013

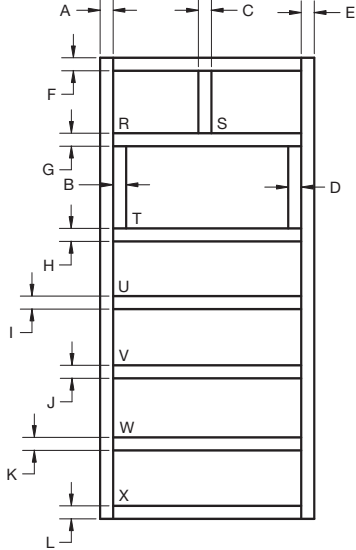


CF07014



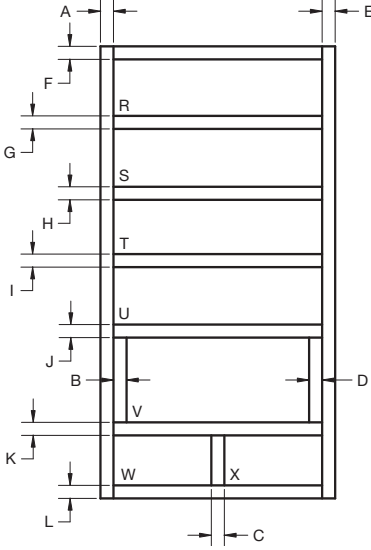
CF07015

On beaded front frames, opening "T" not beaded



CF07016

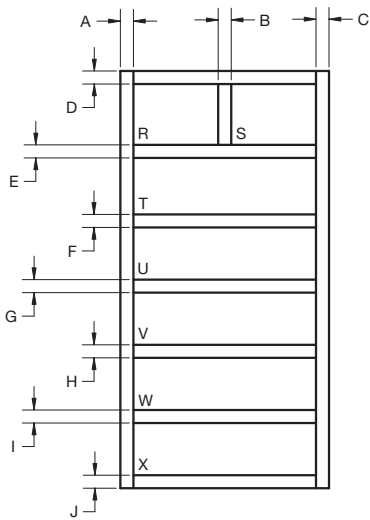
On beaded front frames, opening "V" not beaded



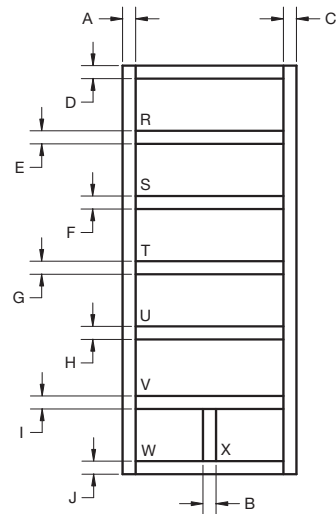


Seven Opening Front Frames

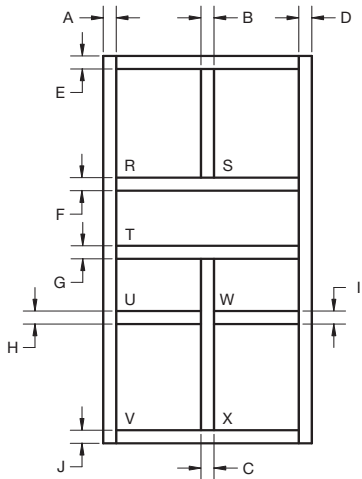
CF07017



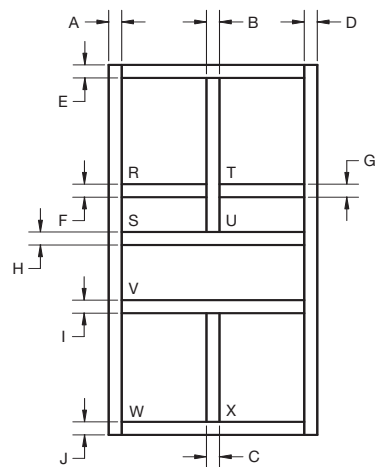
CF07018



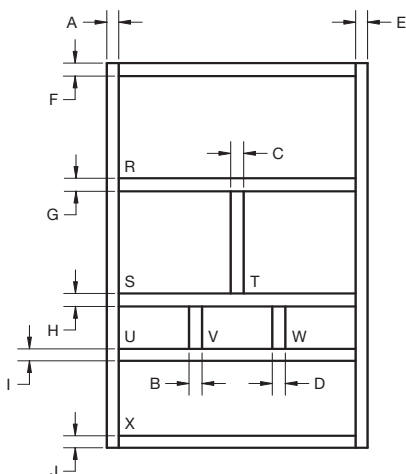
CF07019



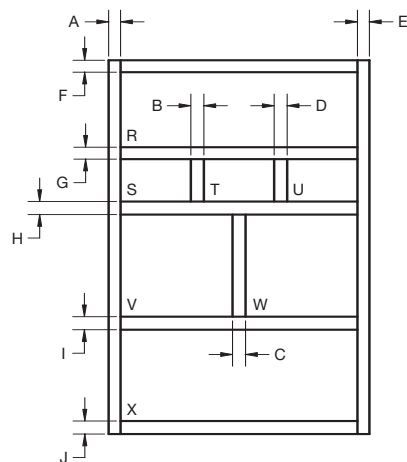
CF07020



CF07021



CF07022

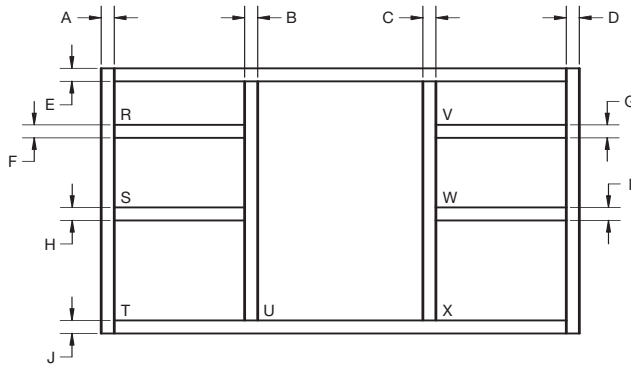


FRONT FRAMES

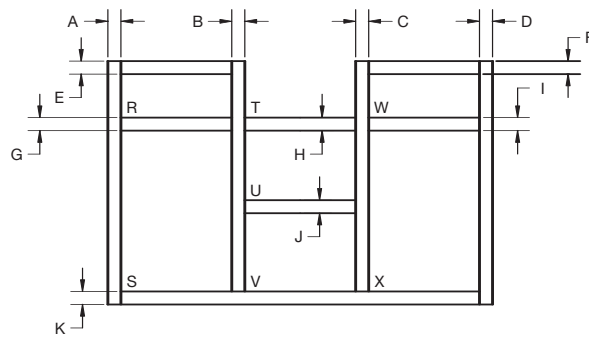
Custom Products

Seven Opening Front Frames

CF07023



CF07024



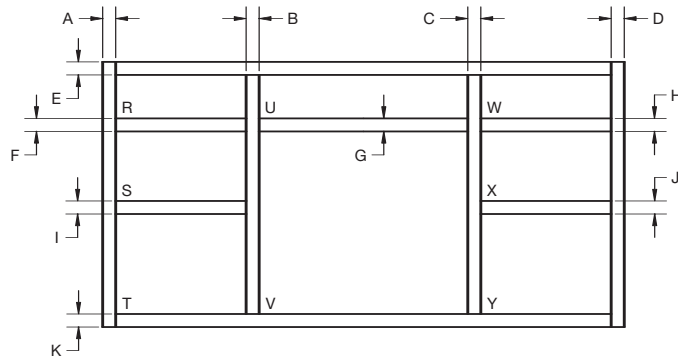
FRONT FRAMES

Custom Products

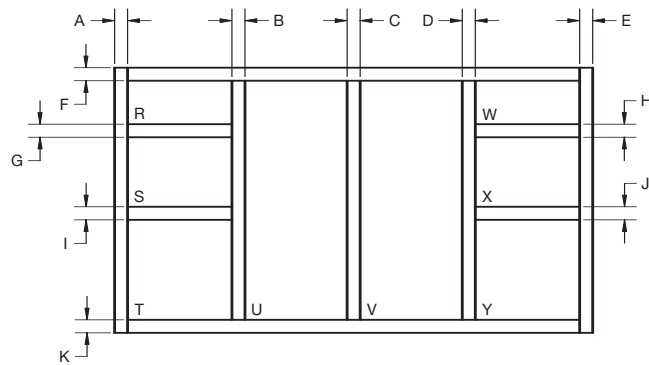


Eight Opening Front Frames

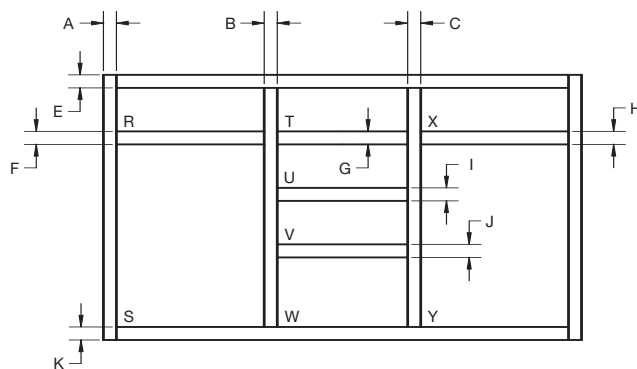
CF08001



CF08002



CF08003



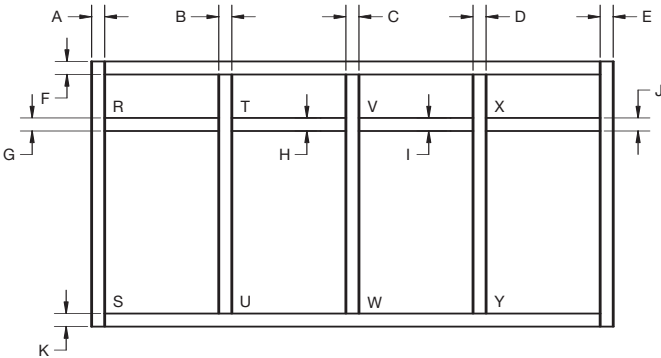
FRONT FRAMES

Custom Products

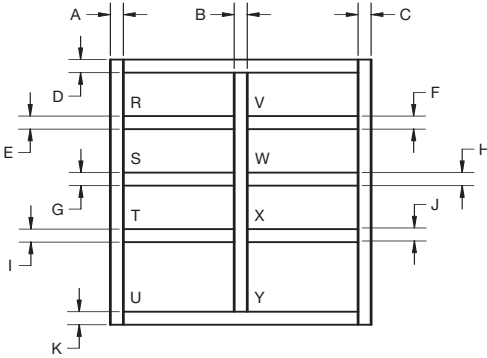


Eight Opening Front Frames

CF08004



CF08005



FRONT FRAMES

Custom Products



CUSTOM FRONT FRAMES ORDER FORM

Custom Products

Customer Name:	Page: of
Customer #:	Order Date:
	PO #:
Request Date:	
Special Instructions:	

Item #	Quantity:	Front Frame #:	Width:	Height:	Thickness: <input type="checkbox"/> 3/4" <input type="checkbox"/> 1"																
Framing Widths <small>4 if all 1-1/2" <input type="checkbox"/></small>																					
A		B		C		D		E		F		G		H		I		J		K	
Opening Sizes & Door/Drawer Selection	R	Width	Height	None	Drwr	S	Width	Height	None	Drwr	T	Width	Height	None	Drwr	U	Width	Height	None	Drwr	
		X		X			X		X			X		X			X		X		X
	V	Width	Height	None	Drwr	W	Width	Height	None	Drwr	X	Width	Height	None	Drwr	Y	Width	Height	None	Drwr	
		X		X			X		X			X		X			X		X		X

Options/Special Notes:

Item #	Quantity:	Front Frame #:	Width:	Height:	Thickness: <input type="checkbox"/> 3/4" <input type="checkbox"/> 1"																
Framing Widths <small>4 if all 1-1/2" <input type="checkbox"/></small>																					
A		B		C		D		E		F		G		H		I		J		K	
Opening Sizes & Door/Drawer Selection	R	Width	Height	None	Drwr	S	Width	Height	None	Drwr	T	Width	Height	None	Drwr	U	Width	Height	None	Drwr	
		X		X			X		X			X		X			X		X		X
	V	Width	Height	None	Drwr	W	Width	Height	None	Drwr	X	Width	Height	None	Drwr	Y	Width	Height	None	Drwr	
		X		X			X		X			X		X			X		X		X

Options/Special Notes:

Item #	Quantity:	Front Frame #:	Width:	Height:	Thickness: <input type="checkbox"/> 3/4" <input type="checkbox"/> 1"																
Framing Widths <small>4 if all 1-1/2" <input type="checkbox"/></small>																					
A		B		C		D		E		F		G		H		I		J		K	
Opening Sizes & Door/Drawer Selection	R	Width	Height	None	Drwr	S	Width	Height	None	Drwr	T	Width	Height	None	Drwr	U	Width	Height	None	Drwr	
		X		X			X		X			X		X			X		X		X
	V	Width	Height	None	Drwr	W	Width	Height	None	Drwr	X	Width	Height	None	Drwr	Y	Width	Height	None	Drwr	
		X		X			X		X			X		X			X		X		X

Options/Special Notes:

Item #	Quantity:	Front Frame #:	Width:	Height:	Thickness: <input type="checkbox"/> 3/4" <input type="checkbox"/> 1"																
Framing Widths <small>4 if all 1-1/2" <input type="checkbox"/></small>																					
A		B		C		D		E		F		G		H		I		J		K	
Opening Sizes & Door/Drawer Selection	R	Width	Height	None	Drwr	S	Width	Height	None	Drwr	T	Width	Height	None	Drwr	U	Width	Height	None	Drwr	
		X		X			X		X			X		X			X		X		X
	V	Width	Height	None	Drwr	W	Width	Height	None	Drwr	X	Width	Height	None	Drwr	Y	Width	Height	None	Drwr	
		X		X			X		X			X		X			X		X		X

Options/Special Notes:

Total Front Frames This Page	Frames will be 3/4" thick and will have 1-1/2" wide stiles and rails unless noted
-------------------------------------	--

For pricing and product information please reference the Custom Products Manual.